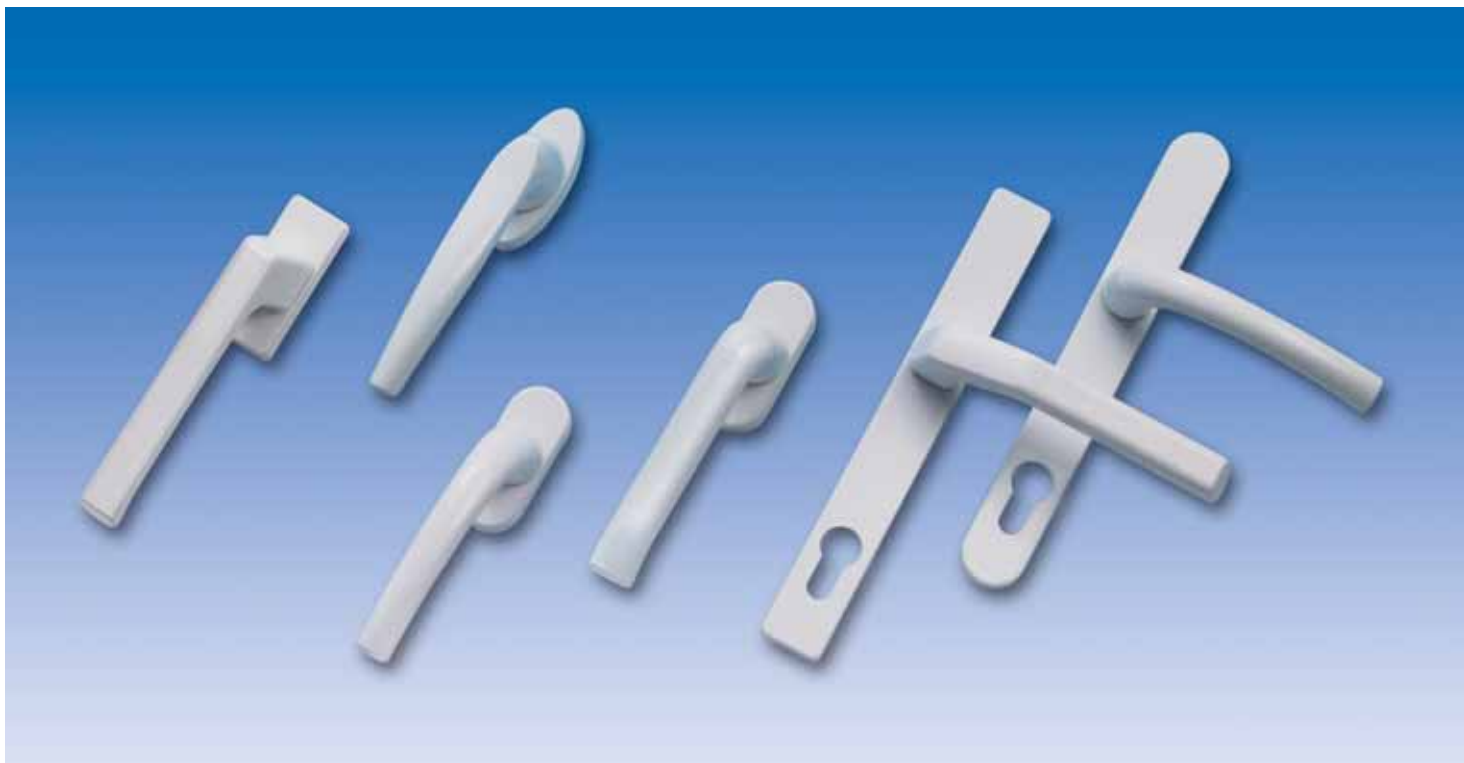


Turn handles for windows  
Narrow stile furniture sets for doors



## Contents

### Finish

Available colours, product information	3
--	---

### Turn handle DIRIGENT

Standard and special types	4
----------------------------	---

### Turn handle ADAGIO

Standard and special types	6
----------------------------	---

### Turn handle MODENA

Standard and special types	8
----------------------------	---

### Turn handle SAN REMO

Standard and special types	9
----------------------------	---

### Accessories

G.U Face fixed window lock	10
----------------------------	----

Rosettes, spindles	11
--------------------	----

### Monobloc DIRIGENT-T/S

Narrow stile furniture sets with door handles, accessories	12
--	----

### Monobloc ADAGIO-T, MODENA-T

Narrow stile furniture sets with door handles, accessories	14
--	----

Available colours



Silver



Champagne



Gold colour



Light brown



Dark brown



White



Titanium painted

**Colours**

The turn handles DIRIGENT, ADAGIO, MODENA, SAN REMO are made from aluminium with painted or powder coated finish. The handles are available in the following standard colours (with matching rosettes):

- F 1/EV 1, silver colour
- F 2/EV 2, champagne
- F 3, gold colour
- F 4, light brown
- dark brown (RAL 8022 matt)
- white (RAL 9016)
- titanium painted

Illustration: handle type DIRIGENT

Available colours of standard types					Example: Order number 6-28072-29-0-7 6-28072- = Article number
Quantities					
	DIRIGENT	ADAGIO	MODENA	SAN REMO	
silver	20*	20*	100*	20	- -00 - - = without square
champagne	20*	20*	20*	20	- -29 - - = spindle length 29 mm
gold	20*	20*	20*	20	- -33 - - = spindle length 33 mm
light brown	20*	20*	20*	20	- -38 - - = spindle length 38 mm
dark brown	20*	20*	20*	20	- -43 - - = spindle length 43 mm
white	20*	100*	100*	20	- - -0- = usable on both sides
titanium	20	20	20*	20	- - -L- = DIN left
					- - -R- = DIN right
					- - -11 = F 1/EV 1, silver
					- - -22 = F 2/EV 2, new silver colour
					- - -3 = F 3, gold colour
					- - -A = F 4, light brown
					- - -5 = dark brown (RAL 8022)
					- - -7 = white (RAL 9016)
					- - -C = titanium painted

\*Packing units  
(lockable types: PU = 20)

The turn handles DIRIGENT captivate by their clear shape. Elegance and functionality are the main features of the DIRIGENT design. The programme comprises inside and outside handles made from aluminium for timber, PVC and aluminium windows and balcony doors.

### Standard types

Description	Execution	Order number
DIRIGENT-F	inside <sup>1</sup>	6-28072-*
DIRIGENT-F/Z	inside, with locking cylinder <sup>1</sup>	6-28075-*
DIRIGENT-F/F	inside, flat	6-28101-00-0-*
DIRIGENT-F/H	inside, high	6-28102-00-0-*
DIRIGENT-F/A	outside	6-25993-00-0-*

<sup>1</sup> also without spindle

### Special types

Description	Execution	Order number
DIRIGENT-F/SP	inside, 45° stop	6-28094-*
DIRIGENT-F/KD	inside, with childproof safety button	6-30268-*
DIRIGENT-F/CHK	inside, with Swiss type night lock	6-28096-00-0-*
DIRIGENT-F/SG	inside handle, removable	8-00694-33-0-7
DIRIGENT-Kippdreh	inside, first tilt, lockable	6-31557-*
DIRIGENT-F/AF	outside, flat	6-25223-00-0-*



### Cranked inside handles for outward opening windows and balcony doors (side hung)

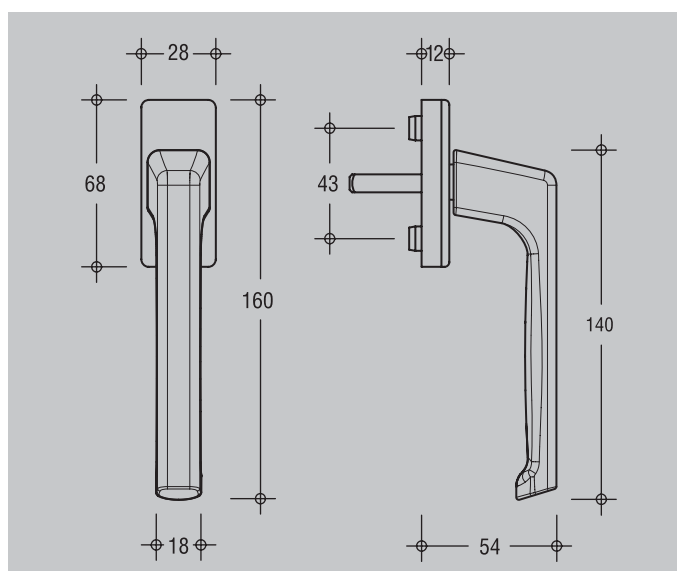
Description	Execution	Order number
DIRIGENT-F/GF-LS	crank for DIN left, flat	6-28105-00-0-*
DIRIGENT-F/GF-RS	crank for DIN right, flat	6-28106-00-0-*

### Cranked outside handles for inward opening windows and balcony doors (side hung)

Description	Execution	Order number
DIRIGENT-F/AGF-LS	crank for DIN left, flat	6-27350-00-0-*
DIRIGENT-F/AGF-RS	crank for DIN right, flat	6-27349-00-0-*

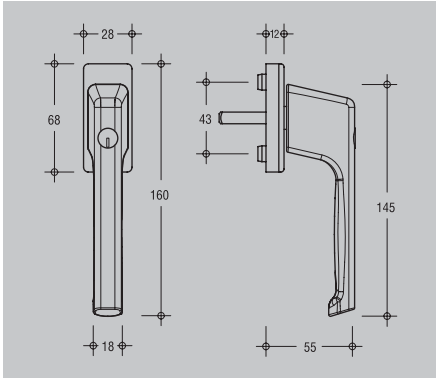
### Technical data

Rosette inside	28 x 68 mm
Stop	90° or 90° and 45° with F/SP
Lug	fixed, Ø 10 mm
Lug length	5 mm
Spindle	fixed, 7 x 29, 7 x 33, 7 x 38 or 7 x 43 mm
Locking	F/Z all keys alike
Rosette cover	pivoting
Fixing	concealed

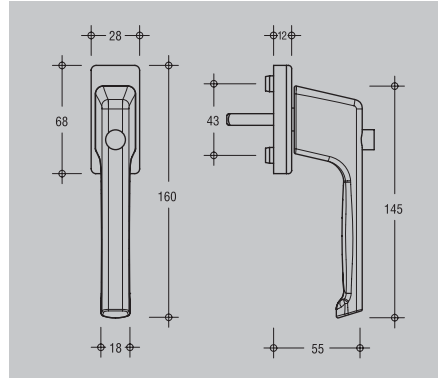


DIRIGENT-F, DIRIGENT-F/SP

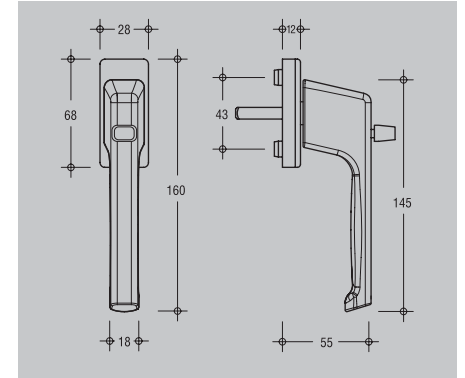
Dimensions of special types



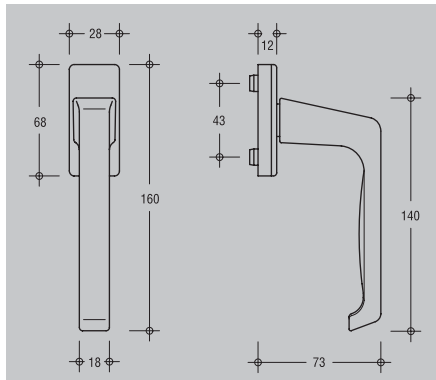
DIRIGENT-F/Z



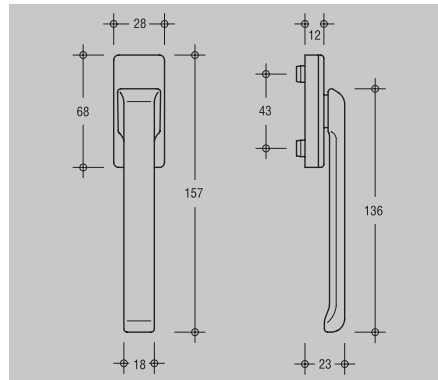
DIRIGENT-F/KD



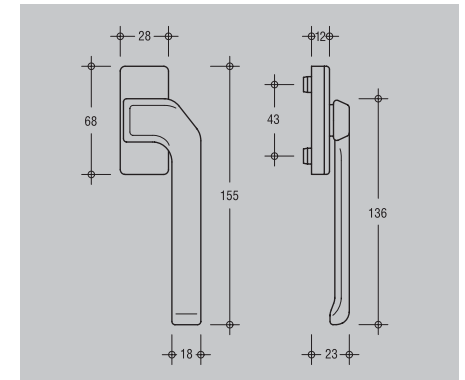
DIRIGENT-F/CHK



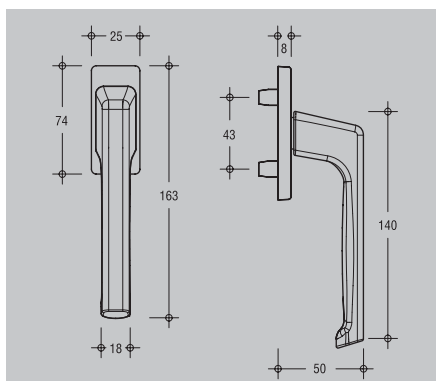
DIRIGENT-F/H



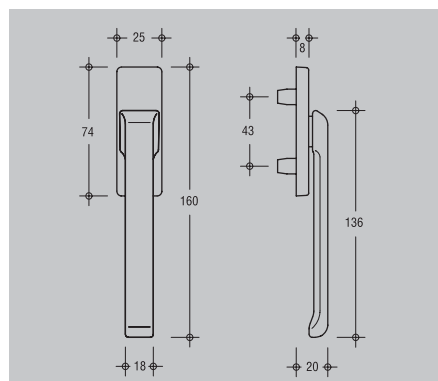
DIRIGENT-F/F



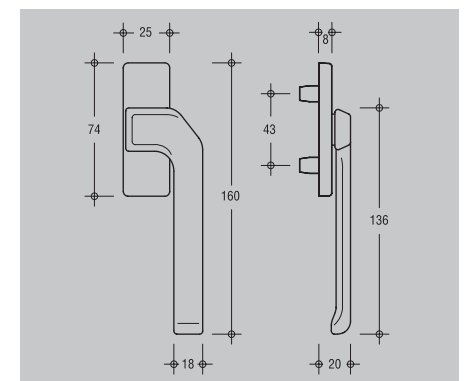
DIRIGENT-F/GF (illustrated: DIN left)



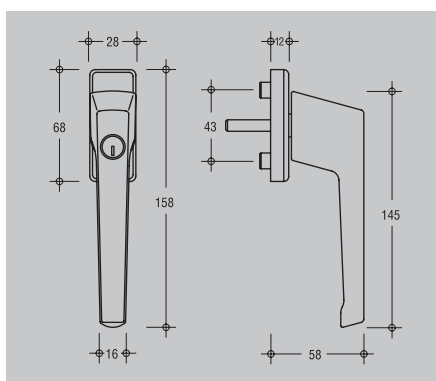
DIRIGENT-F/A



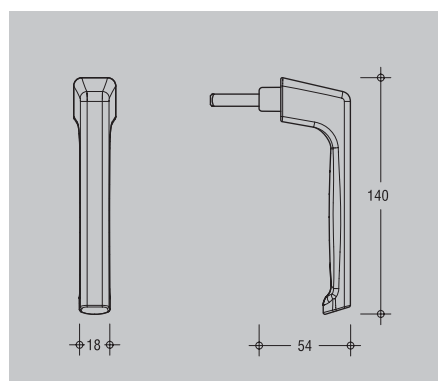
DIRIGENT-F/AF



DIRIGENT-F/AGF (illustrated: DIN left)



DIRIGENT first tilt



DIRIGENT-F/SG

Round and soft shapes are the dominant features of the ADAGIO window handle design. They are operated with ease and feel comfortable.

The programme comprises handles made from aluminium for timber, PVC and aluminium windows and balcony doors.

**Standard types**

Description	Execution	Order number
ADAGIO-F	inside <sup>1</sup>	6-29548-*
ADAGIO-F/Z	inside, with locking cylinder	6-29549-*

<sup>1</sup> also without spindle

**Special types**

Description	Execution	Order number
ADAGIO-F/Z RAL	inside, tested to RAL 607/9	6-29623-*
ADAGIO-F/KD	inside, with childproof safety button	6-29890-*
ADAGIO-F 24-Rosette	inside, rosette width 24 mm	6-31178-*
ADAGIO-F/SP	inside, 45° stop	6-31803-*

**Cranked inside handles for outward opening windows and balcony doors (side hung)**

Description	Execution	Order number
ADAGIO-F/G-LS	crank DIN left, angular rosette	6-31323-00-0-*
ADAGIO-F/G-RS	crank DIN right, angular rosette	6-31221-00-0-*

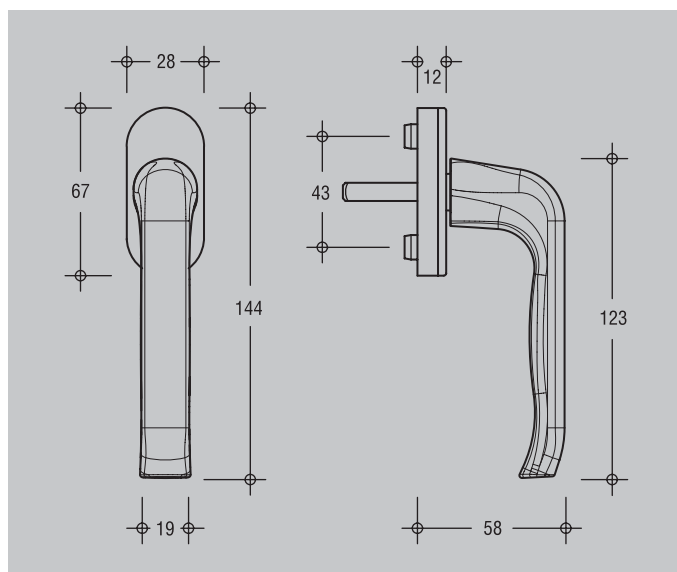
**Cranked outside handles for inward opening windows and balcony doors (side hung)**

Description	Execution	Order number
ADAGIO-F/AG-LS	crank DIN left, angular rosette	6-32411-00-0-*
ADAGIO-F/AG-RS	crank DIN right, angular rosette	6-32412-00-0-*

**Technical data**

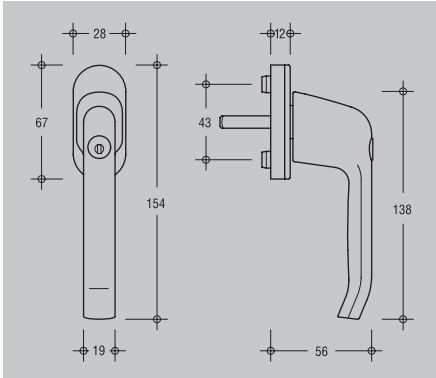
Rosette inside	28 x 67 mm (rounded), 28 x 68 mm (angular) 33 x 68 mm F/Z RAL
Stop	90° or 90° and 45° F/SP
Lug	fixed, Ø 10 mm
Lug length	5 mm
Spindle	fixed, 7 x 29, 7 x 33 or 7 x 38 mm
Locking	F/Z all keys alike
Rosette cover	pivoting
Fixing	concealed

The type F/Z RAL additionally meets the demands of "WK (= resistance class) tests for burglary-resistant windows"; when twisted, it resists to forces up to 200 Nm.

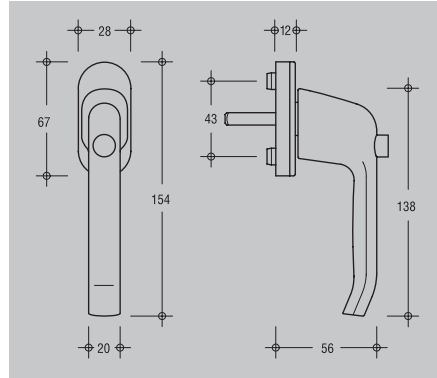


ADAGIO-F, ADAGIO-F/SP

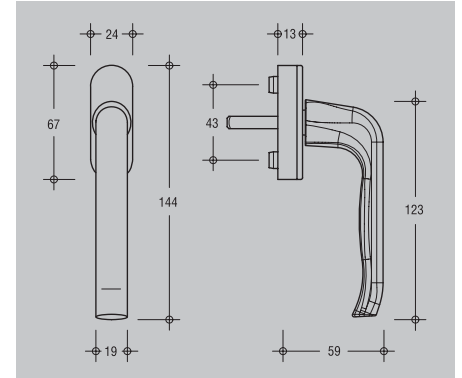
## Dimensions of special types



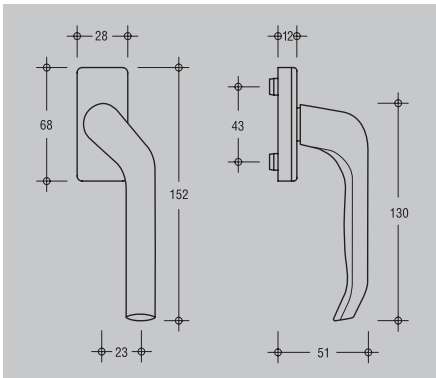
ADAGIO-F/Z



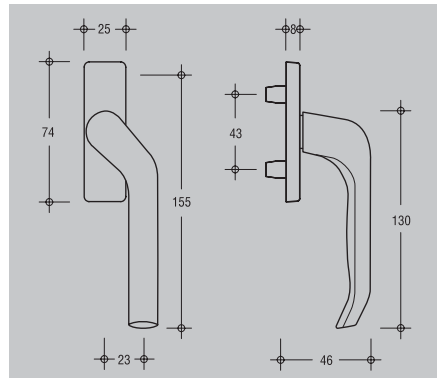
ADAGIO-F/KD



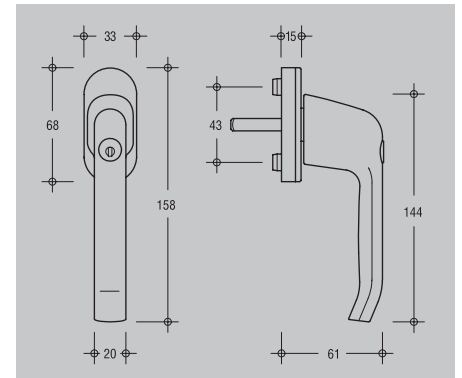
ADAGIO-F24-Rosette



ADAGIO-F/G (illustrated: DIN left)



ADAGIO-F/AG (illustrated: DIN left)



ADAGIO-F/Z RAL

The aesthetic design of the MODENA window handles is characterized by its rounded shape. Great ease of use is guaranteed.

The programme comprises inside handles made from aluminium for timber, PVC and aluminum windows and balcony doors.

**Standard types**

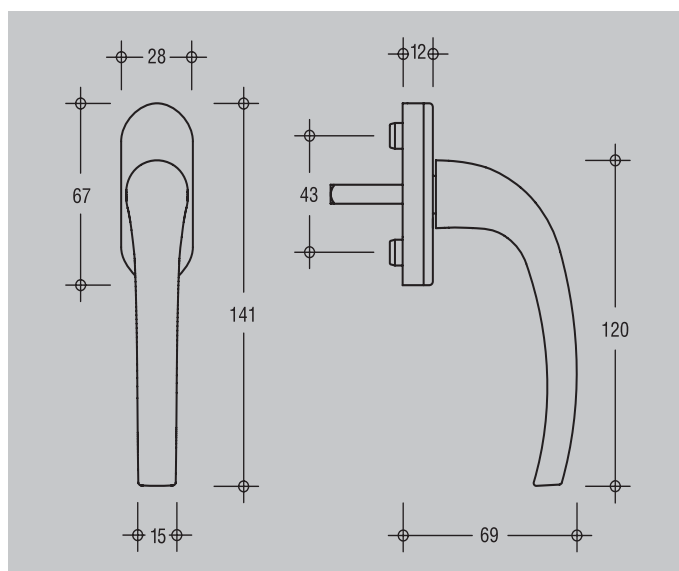
Description	Execution	Order number
MODENA-F	inside	6-31977-*
MODENA-F/Z	inside, with locking cylinder	6-31978-*

**Special types**

Description	Execution	Order number
MODENA-F/SP	inside, 45° stop	6-32319-*

**Technical data**

Rosette inside	28 x 67 mm
Stop	90° or 90° and 45° F/SP
Lug	fixed, Ø 10 mm
Lug length	5 mm
Spindle	fixed, 7 x 29, 7 x 33 or 7 x 38 mm
Locking	F/Z all keys alike
Rosette cover	pivoting
Fixing	concealed



MODENA-F, MODENA-F/SP

A straight line but still soft design feature the window handles SAN REMO – they easily fit in the hand and provide comfortable operation.

The programme comprises inside handles made from aluminium for timber, PVC and aluminum windows and balcony doors.

### Standard types

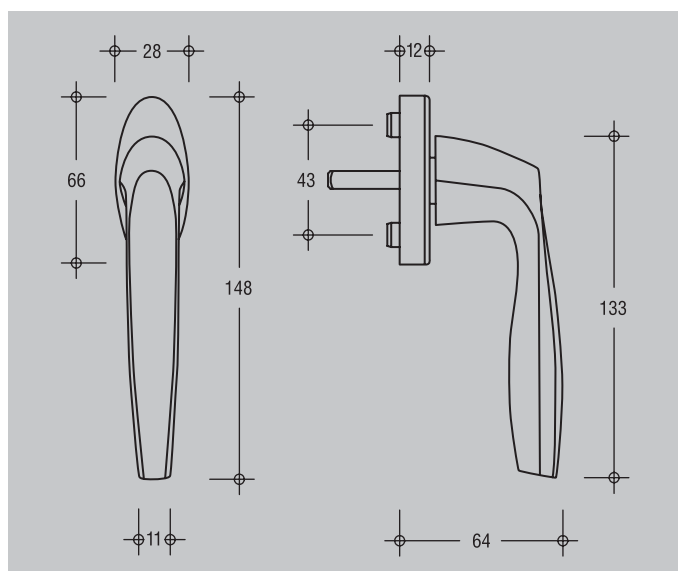
Description	Execution	Order number
SAN REMO-F	inside	G-21608-*
SAN REMO-F/Z	inside, with locking cylinder	G-21609-*

### Special types

Description	Execution	Order number
SAN REMO-F/SP	inside, 45° stop	6-32363-*

### Technical data

Rosette inside	28 x 66 mm
Stop	90° or 90° and 45° F/SP
Lug	fixed, Ø 10 mm
Lug length	5 mm
Spindle	fixed, 7 x 29, 7 x 33 or 7 x 38 mm
Locking	F/Z all keys alike
Rosette cover	pivoting
Fixing	concealed



SAN REMO-F, SAN REMO-F/SP

## G.U Face fixed window lock

### Upgradable security for tilt-turn and side hung windows

The face fixed lock is an effective protection against burglary which can be mounted easily. The locking mechanism of the window is locked via the lockable turn handle. It is no longer possible to release lockings from outside when the window glass is damaged or the frame drilled.

The metal bolt engages in the robust locking socket with a throw of 18 mm. As a result, the window sash is protected from being lifted and forced open. With the lockable turn handle and the face fixed lock applied together, a great anti-burglary effect is achieved.

The G.U face fixed lock can be retrofitted on tilt-turn and side hung sashes with 15 mm backset gear. The adaptation to various overlap thicknesses is effected with packers.

Besides the central lock, the face fixed lock provides additional locking of the sash in closed position.

The assembly is simple. The face fixed lock is screwed on the sash under the turn handle. The locking socket is positioned on the frame and fixed with screws. Mounting instructions are enclosed in the packing.

#### Lateral space requirement

- Timber windows with 4 mm rebate clearance: 26 mm
- Timber windows with Euro rebate: 23 mm
- PVC windows with 20 and 22 mm overlap width: 22 mm



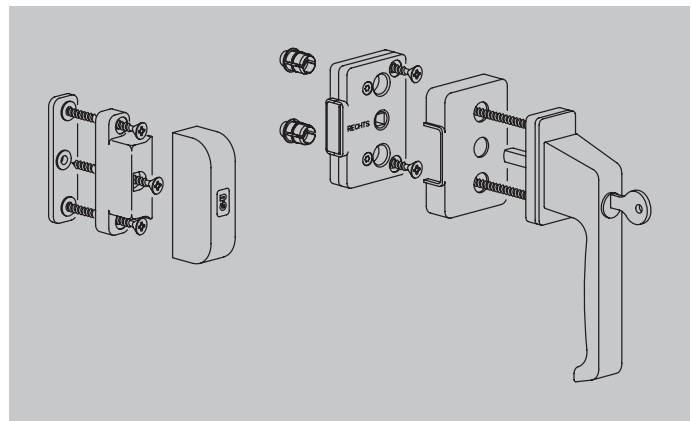
### Execution

Description	Execution	Order number
Box Face fixed window lock	with turn handle DIRIGENT F/Z	K-14662-00-0-*

#### Contents of box:

- Turn handle DIRIGENT F/Z, lockable
- Spindle 7 x 75 mm
- Face fixed lock
- Cover for face fixed lock
- Sleeve for Ø 10 mm and 12 mm (2 pcs. each)
- Strike box
- Cover for strike box
- Packing 3 mm, 4 mm, 5 mm, 6 mm (1 piece each)
- Spax countersunk screw 5 x 55 mm (7 pcs.)

\*Finish: 11 = F 1/EV 1, 5 = dark brown, 7 = white (RAL 9016)

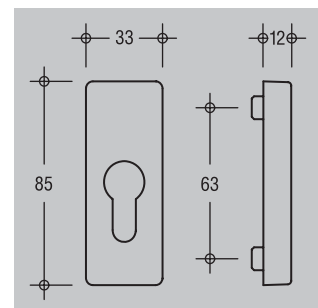


## Rosettes, squares

### Rosette PZ

inside, with cylinder bore and fixed lug Ø 10 mm

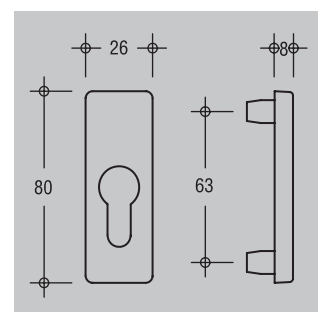
PU	Description	Order number
20 pcs.	Rosette PZ, angular	6-25224-02-0-*



### Rosette PZ/A

outside, with cylinder bore and fixed lug Ø 10 mm

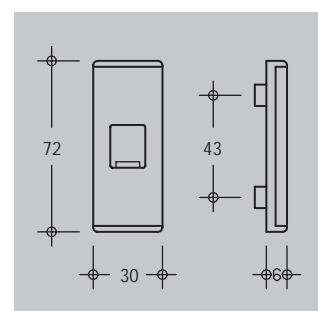
PU	Description	Order number
20 pcs.	Rosette PZ/A, angular	9-32407-02-0-*



### Removable rosette F

inside – flat, with slide shutter for removable handle

PU	Description	Order number
20 pcs.	Removable rosette F	6-24913-00-0-*



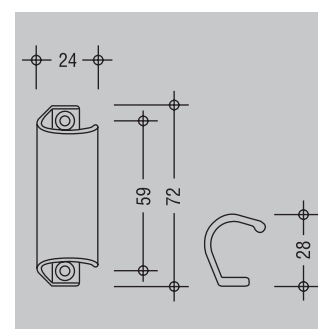
### Squares 7 mm

PU	Square length	Sash thickness	Order number
20 pcs.	70 mm		9-26874-16-0-1
20 pcs.	118 mm	56 – 68 mm	9-26874-56-0-1
100 pcs.	131 mm	69 – 80 mm	9-26874-69-0-1
20 pcs.	143 mm	81 – 92 mm	9-26874-81-0-1



### Fixed pull

PU	Description	Order number
50 pcs.	Fixed pull	9-22921-00-0-*



### Countersunk screw M5 for turn handle fastening

PU	Count. screw	Inside op., for pin length	Order number
400 pcs.	M5 x 40	29 and 33 mm	9-13255-40
1 pc.	M5 x 50	38 mm	9-13255-50

Operation on both sides for sash thickness			
400 pcs.	M5 x 60	50 – 54 mm	9-13255-60
400 pcs.	M5 x 65	55 – 59 mm	9-13255-65
400 pcs.	M5 x 70	60 – 64 mm	9-13255-70
400 pcs.	M5 x 75	65 – 69 mm	9-13255-75
400 pcs.	M5 x 80	70 – 74 mm	9-13255-80
400 pcs.	M5 x 85	75 – 80 mm	9-13255-85

## Narrow stile furniture sets with door handles

### DIRIGENT-T/S

#### Slanted handle, backplate outside and inside

Backplate height	220 mm
Backplate width	28 mm
Backplate thickness	9 mm
Centres	70, 72 and 92 mm
Square spindle	7 mm (for 70 mm centres)
	8 mm (for 72, 92 mm centres)
No. of screws	2 (for 70, 72 mm centres)
	3 (for 92 mm centres)

Angular backplate

Colour: silver; dark brown (RAL 8022); white (RAL 9016)



#### Monobloc DIRIGENT

Turn handle inside and outside, inclusive fastening screws and square spindle

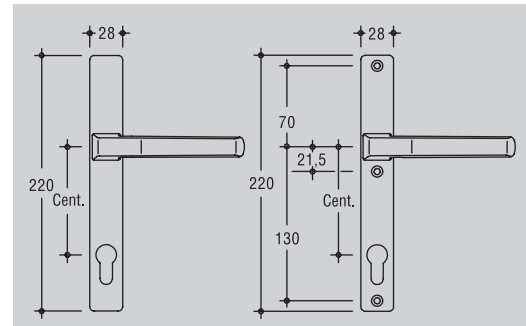
#### Monobloc DIRIGENT without springs

PU	Cent.	Colour	Order number
5 sets	92 mm	silver	K-16754-45-0-1
5 sets	92 mm	brown	K-16754-45-0-5
5 sets	92 mm	white	K-16754-45-0-7
5 sets	72 mm	*	K-16754-52-0-*
5 sets	70 mm	*	K-16973-51-0-*

#### Monobloc DIRIGENT with springs<sup>1</sup>

5 sets	92 mm	*	K-16753-45-0-*
--------	-------	---	----------------

<sup>1</sup> Centres 72 and 70 mm on request



#### Monobloc DIRIGENT

Turn handle inside, fixed pull outside, inclusive fastening screws and square spindle

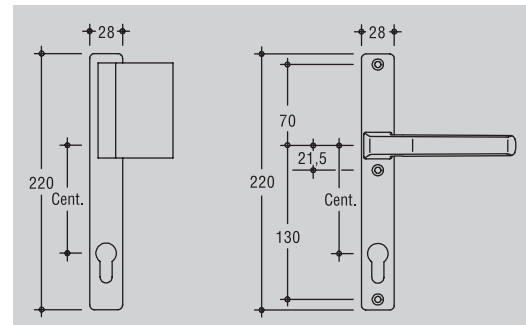
#### Monobloc DIRIGENT without springs

PU	Cent.	Colour	Order number
2 sets	92 mm	silver	K-16756-45-L/R-1
2 sets	92 mm	brown	K-16756-45-L/R-5
2 sets	92 mm	white	K-16756-45-L/R-7
2 sets	72 mm	*	K-16756-52-L/R-*
2 sets	70 mm	*	K-16974-51-L/R-*

#### Monobloc DIRIGENT with springs<sup>2</sup>

2 sets	92 mm	*	K-16755-45-L/R-*
--------	-------	---	------------------

<sup>2</sup> Centres 72 and 70 mm on request



(Illustration on the right: K-16756-45-R-\*)

#### Monobloc DIRIGENT

Single back plate, turn handle inside

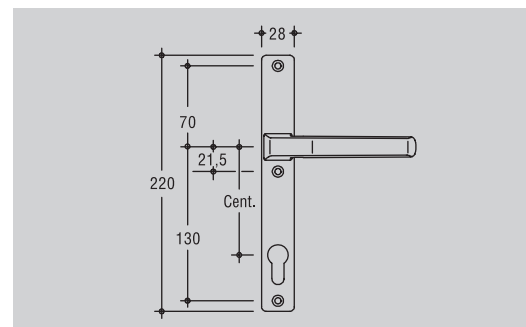
#### Monobloc DIRIGENT without springs

PU	Cent.	Colour	Order number
10 pcs.	92 mm	silver	6-32372-45-0-1
10 pcs.	92 mm	brown	6-32372-45-0-5
10 pcs.	92 mm	white	6-32372-45-0-7
10 pcs.	72 mm	*	6-32372-52-0-*
10 pcs.	70 mm	*	6-32373-51-0-*

#### Monobloc DIRIGENT with springs<sup>3</sup>

10 pcs.	92 mm	*	6-32366-45-0-*
---------	-------	---	----------------

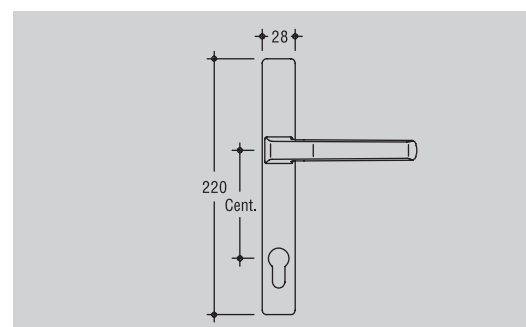
<sup>3</sup> centres 72 and 70 mm on request



#### Monobloc DIRIGENT

Single back plate, turn handle outside

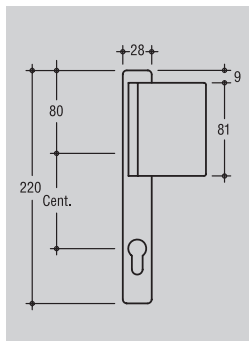
PU	Cent.	Colour	Order number
10 pcs.	92 mm	silver	6-32369-45-0-1
10 pcs.	92 mm	brown	6-32369-45-0-5
10 pcs.	92 mm	white	6-32369-45-0-7
10 pcs.	72 mm	*	6-32369-52-0-*
10 pcs.	70 mm	*	6-32370-51-0-*



## Narrow stile furniture sets with door handles

Monobloc DIRIGENT  
Single back plate, fixed pull outside  
(Illustration: 6-32423-45-R-\*)

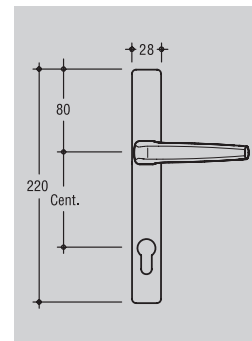
PU	Cent.	Colour	Order number
4 pcs.	92 mm	silver	6-32423-45-L/R-1
4 pcs.	92 mm	brown	6-32423-45-L/R-5
4 pcs.	92 mm	white	6-32423-45-L/R-7
4 pcs.	72 mm	*	6-32423-52-L/R-*
4 pcs.	70 mm	*	6-32423-51-L/R-*



Monobloc DIRIGENT  
Single back plate, flat turn handle outside\*

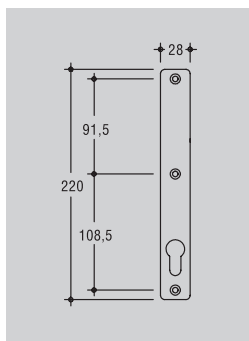
PU	Cent.	Colour	Order number
10 pcs.	92 mm	silver	6-32405-45-0-1
10 pcs.	92 mm	brown	6-32405-45-0-5
10 pcs.	92 mm	white	6-32405-45-0-7
10 pcs.	72 mm	*	6-32405-52-0-*
10 pcs.	70 mm	*	6-32406-51-0-*

\*reduced height for unrestricted shutter movement



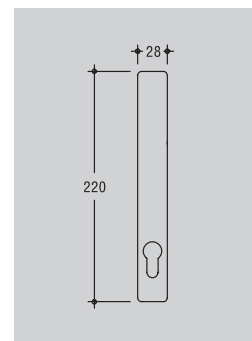
Monobloc DIRIGENT  
Single back plate, backplate inside,  
cylinder bore only

PU	Cent.	Colour	Order number
10 pcs.	92 mm	silver	9-42457-45-0-1
10 pcs.	92 mm	brown	9-42457-45-0-5
10 pcs.	92 mm	white	9-42457-45-0-7
10 pcs.	72 mm	*	9-42457-52-0-*
10 pcs.	70 mm	*	9-42457-51-0-*



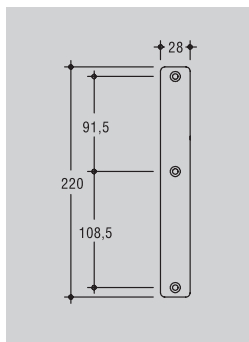
Monobloc DIRIGENT  
Single back plate, backplate outside,  
cylinder bore only

PU	Cent.	Colour	Order number
10 pcs.	92 mm	silver	9-42456-45-0-1
10 pcs.	92 mm	brown	9-42456-45-0-5
10 pcs.	92 mm	white	9-42456-45-0-7
10 pcs.	72 mm	*	9-42456-52-0-*
10 pcs.	70 mm	*	9-42456-51-0-*



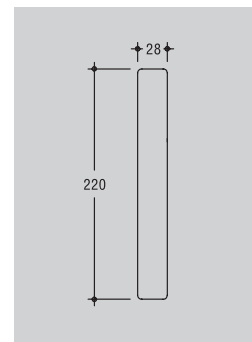
Monobloc DIRIGENT  
Single back plate, backplate inside, dummy

PU	Screws	Colour	Order number
10 pcs.	3 pcs.	silver	9-42457-40-0-1
10 pcs.	3 pcs.	brown	9-42457-40-0-5
10 pcs.	3 pcs.	white	9-42457-40-0-7
10 pcs.	2 pcs.	*	9-42457-50-0-*



Monobloc DIRIGENT  
Single back plate, turn handle outside, dummy

PU	Screws	Colour	Order number
10 pcs.	3 pcs.	silver	9-42456-40-0-1
10 pcs.	3 pcs.	brown	9-42456-40-0-5
10 pcs.	3 pcs.	white	9-42456-40-0-7
10 pcs.	2 pcs.	*	9-42456-50-0-*



### Accessories

Monobloc accessories suitable for door leaf thicknesses from 60 to 85 mm  
Square spindle 7 or 8 mm, length 130 mm  
Phillips screw M 5, length 90 mm

Set of 2 turn handles

PU	Centres	Colour	Screws	Square	Order number
10 sets	92 mm	silver	3 pcs.	8 x 130	K-15203-00-0-1
10 sets	92 mm	brown	3 pcs.	8 x 130	K-15203-00-0-5
10 sets	92 mm	white	3 pcs.	8 x 130	K-15203-00-0-7
10 sets	72 mm	*	2 pcs.	8 x 130	K-15203-02-0-*
10 sets	70 mm	*	2 pcs.	7 x 130	K-15929-13-0-*

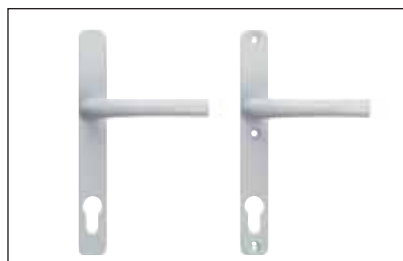
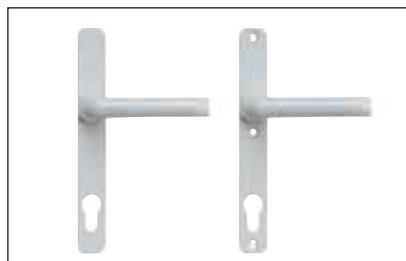
Set of turn handle/fixed pull alternatively turn handle/dummy

PU	Centres	Colour	Screws	Square	Order number
10 sets	92 mm	silver	3 pcs.	8 x 100	K-15203-05-0-1
10 sets	92 mm	brown	3 pcs.	8 x 100	K-15203-05-0-5
10 sets	92 mm	white	3 pcs.	8 x 100	K-15203-05-0-7
10 sets	72 mm	*	2 pcs.	8 x 100	K-15203-04-0-*
10 sets	70 mm	*	2 pcs.	7 x 100	K-15929-10-0-*

Narrow stile furniture sets with door handles

MODENA

Backplate outside and inside



Monobloc ADAGIO

Monobloc MODENA

Backplate height 220 mm  
 Backplate width 28 mm  
 Backplate thickness 9 mm  
 Centres 70, 72 and 92 mm  
 Square spindle 7 mm (for 70 mm cent.)  
 8 mm (for 72, 92 mm cent.)  
 No. of screws 2 (for 70, 72 mm cent.)  
 3 (for 92 mm cent.)  
 Rounded backplate  
 Colour: silver; dark brown (RAL 8022); white (RAL 9016)

Monobloc: Turn handle inside and outside, inclusive fastening screws and square spindle

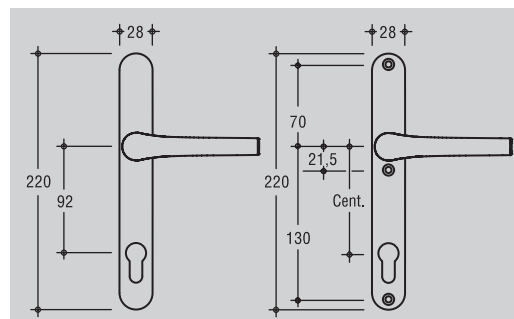
Monobloc ADAGIO without springs			
PU	Cent.	Colour	Order number
5 sets	92 mm	silver	K-16758-05-0-1
5 sets	92 mm	brown	K-16758-05-0-5
5 sets	92 mm	white	K-16758-05-0-7
5 sets	72 mm	*	K-16758-12-0-*
5 sets	70 mm	*	K-16830-11-0-*

Monobloc MODENA without springs			
PU	Cent.	Colour	Order number
5 sets	92 mm	*	K-16762-05-0-*
5 sets	72 mm	*	on request
5 sets	70 mm	*	on request

Monobloc MODENA with springs			
PU	Cent.	Colour	Order number
5 sets	92 mm	*	on request
5 sets	72 mm	*	on request
5 sets	70 mm	*	on request

<sup>4</sup> Centres 72 and 70 mm on request



Monobloc: Turn handle inside, fixed pull outside, inclusive fastening screws and square spindle

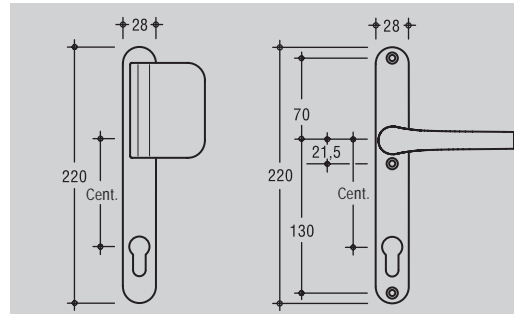
Monobloc ADAGIO without springs			
PU	Cent.	Colour	Order number
2 sets	92 mm	silver	K-16760-05-L/R-1
2 sets	92 mm	brown	K-16760-05-L/R-5
2 sets	92 mm	white	K-16760-05-L/R-7
2 sets	72 mm	*	K-16760-12-L/R-*
2 sets	70 mm	*	K-16975-11-L/R-*

Monobloc MODENA without springs			
PU	Cent.	Colour	Order number
2 sets	92 mm	*	K-16764-05-L/R-*
2 sets	72 mm	*	on request
2 sets	70 mm	*	on request

Monobloc MODENA with springs			
PU	Cent.	Colour	Order number
2 sets	92 mm	*	on request
2 sets	72 mm	*	on request
2 sets	70 mm	*	on request

<sup>5</sup> Centres 72 and 70 mm on request



(Illustration above: K-16764-05-R-\*)

Monobloc: Single back plate, turn handle inside

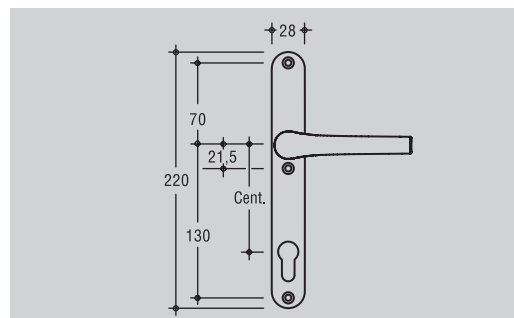
Monobloc ADAGIO without springs			
PU	Cent.	Colour	Order number
10 pcs.	92 mm	silver	6-32384-05-0-1
10 pcs.	92 mm	brown	6-32384-05-0-5
10 pcs.	92 mm	white	6-32384-05-0-7
10 pcs.	72 mm	*	6-32384-12-0-*
10 pcs.	70 mm	*	6-32385-11-0-*

Monobloc MODENA without springs			
PU	Cent.	Colour	Order number
10 pcs.	92 mm	*	6-32396-05-0-*
10 pcs.	72 mm	*	on request
10 pcs.	70 mm	*	on request

Monobloc MODENA with springs			
PU	Cent.	Colour	Order number
10 pcs.	92 mm	*	on request
10 pcs.	72 mm	*	on request
10 pcs.	70 mm	*	on request

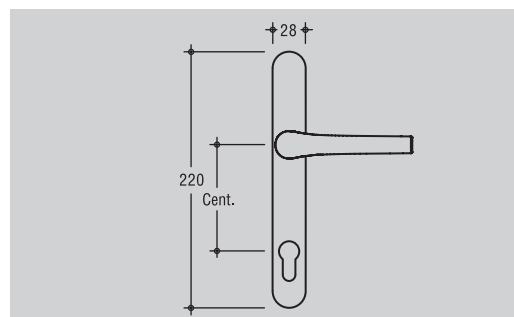
<sup>6</sup> Centres 72 and 70 mm on request



Monobloc: Single back plate, turn handle outside

Monobloc ADAGIO			
PU	Cent.	Colour	Order number
10 pcs.	92 mm	silver	6-32381-05-0-1
10 pcs.	92 mm	brown	6-32381-05-0-5
10 pcs.	92 mm	white	6-32381-05-0-7
10 pcs.	72 mm	*	6-32381-12-0-*
10 pcs.	70 mm	*	6-32382-11-0-*

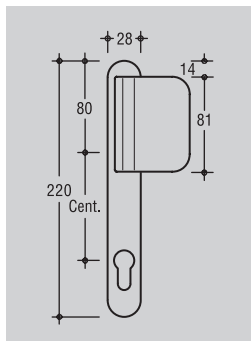
Monobloc MODENA			
PU	Cent.	Colour	Order number
10 pcs.	92 mm	*	6-32393-05-0-*
10 pcs.	72 mm	*	on request
10 pcs.	70 mm	*	on request



## Narrow stile furniture sets with door handles

Monobloc ADAGIO, MODENA  
Single back plate, fixed pull outside  
(Illustration: 6-32423-05-R-\*)

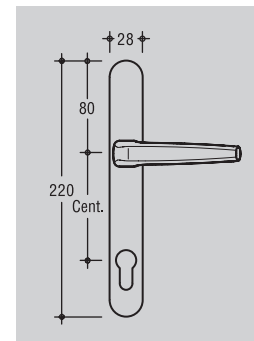
PU	Screws	Colour	Order number
4 pcs.	92 mm	silver	6-32423-05-L/R-1
4 pcs.	92 mm	brown	6-32423-05-L/R-5
4 pcs.	92 mm	white	6-32423-05-L/R-7
4 pcs.	72 mm	*	6-32423-12-L/R-*
4 pcs.	70 mm	*	6-32423-11-L/R-*



Monobloc ADAGIO, MODENA  
Single back plate, flat turn handle outside\*

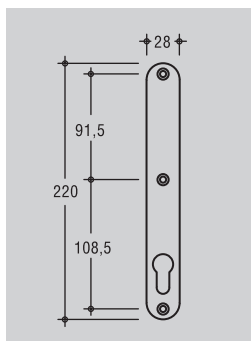
PU	Screws	Colour	Order number
10 pcs.	92 mm	silver	6-32405-05-0-1
10 pcs.	92 mm	brown	6-32405-05-0-5
10 pcs.	92 mm	white	6-32405-05-0-7
10 pcs.	72 mm	*	6-32405-12-0-*
10 pcs.	70 mm	*	6-32406-11-0-*

\*reduced height for unrestricted shutter movement



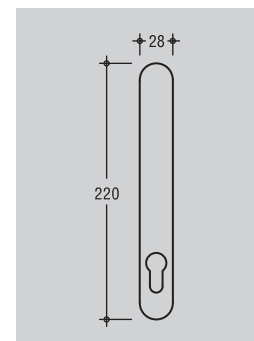
Monobloc ADAGIO, MODENA  
Single back plate, backplate inside,  
cylinder bore only

PU	Screws	Colour	Order number
10 pcs.	92 mm	silver	9-42457-05-0-1
10 pcs.	92 mm	brown	9-42457-05-0-5
10 pcs.	92 mm	white	9-42457-05-0-7
10 pcs.	72 mm	*	9-42457-12-0-*
10 pcs.	70 mm	*	9-42457-11-0-*



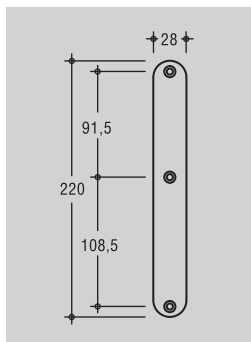
Monobloc ADAGIO, MODENA  
Single back plate, backplate outside,  
cylinder bore only

PU	Screws	Colour	Order number
10 pcs.	92 mm	silver	9-42456-05-0-1
10 pcs.	92 mm	brown	9-42456-05-0-5
10 pcs.	92 mm	white	9-42456-05-0-7
10 pcs.	72 mm	*	9-42456-12-0-*
10 pcs.	70 mm	*	9-42456-11-0-*



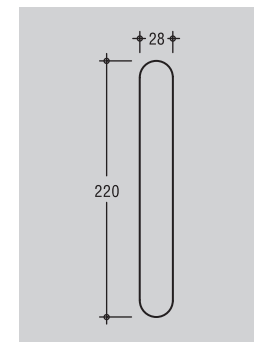
Monobloc ADAGIO, MODENA  
Single back plate, backplate inside, dummy

PU	Screws	Colour	Order number
10 pcs.	3 pcs.	silver	9-42457-00-0-1
10 pcs.	3 pcs.	brown	9-42457-00-0-5
10 pcs.	3 pcs.	white	9-42457-00-0-7
10 pcs.	2 pcs.	*	9-42457-10-0-*



Monobloc ADAGIO, MODENA  
Single back plate, turn handle outside, dummy

PU	Screws	Colour	Order number
10 pcs.	3 pcs.	silver	9-42456-00-0-1
10 pcs.	3 pcs.	brown	9-42456-00-0-5
10 pcs.	3 pcs.	white	9-42456-00-0-7
10 pcs.	2 pcs.	*	9-42456-10-0-*



### Accessories

Monobloc accessories suitable for door leaf thicknesses from 60 to 85 mm  
Square spindle 7 or 8 mm, length 130 mm  
Phillips screw M 5, length 90 mm

Set of 2 turn handles

PU	Centres	Colour	Screws	Square	Order number
10 sets	92 mm	silver	3 pcs.	8 x 130	K-15203-00-0-1
10 sets	92 mm	brown	3 pcs.	8 x 130	K-15203-00-0-5
10 sets	92 mm	white	3 pcs.	8 x 130	K-15203-00-0-7
10 sets	72 mm	*	2 pcs.	8 x 130	K-15203-02-0-*
10 sets	70 mm	*	2 pcs.	7 x 130	K-15929-13-0-*

Set of turn handle/fixed pull alternatively turn handle/dummy

PU	Centres	Colour	Screws	Square	Order number
10 sets	92 mm	silver	3 pcs.	8 x 100	K-15203-05-0-1
10 sets	92 mm	brown	3 pcs.	8 x 100	K-15203-05-0-5
10 sets	92 mm	white	3 pcs.	8 x 100	K-15203-05-0-7
10 sets	72 mm	*	2 pcs.	8 x 100	K-15203-04-0-*
10 sets	70 mm	*	2 pcs.	7 x 100	K-15929-10-0-*

