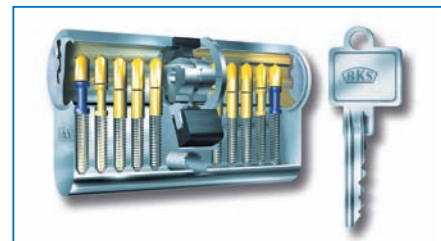


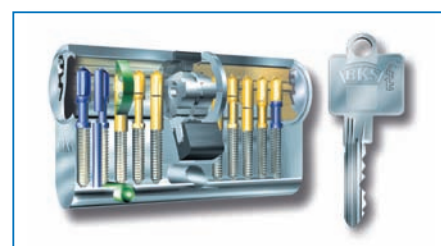
More **Security**
with the **BKS locking**
cylinder programme

Locking cylinder series according to DIN EN 1303 and DIN 18252

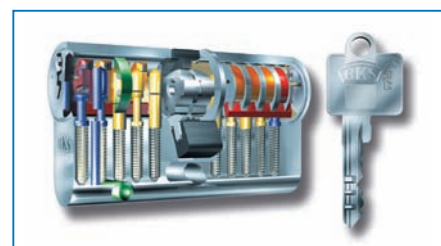
Cylinder system series 88
pages 4 – 5



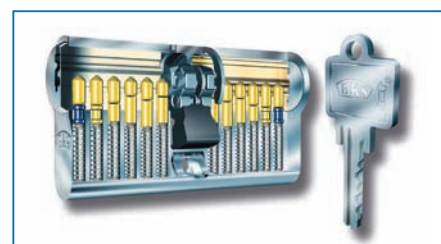
Cylinder system series 31
pages 6 – 7



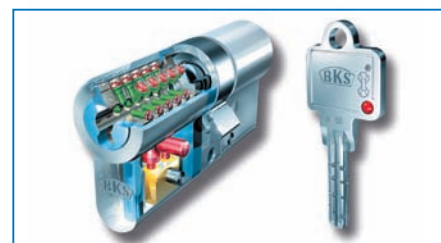
Cylinder system series 33 SL
pages 8 – 9



Cylinder system series 50
pages 10 – 11



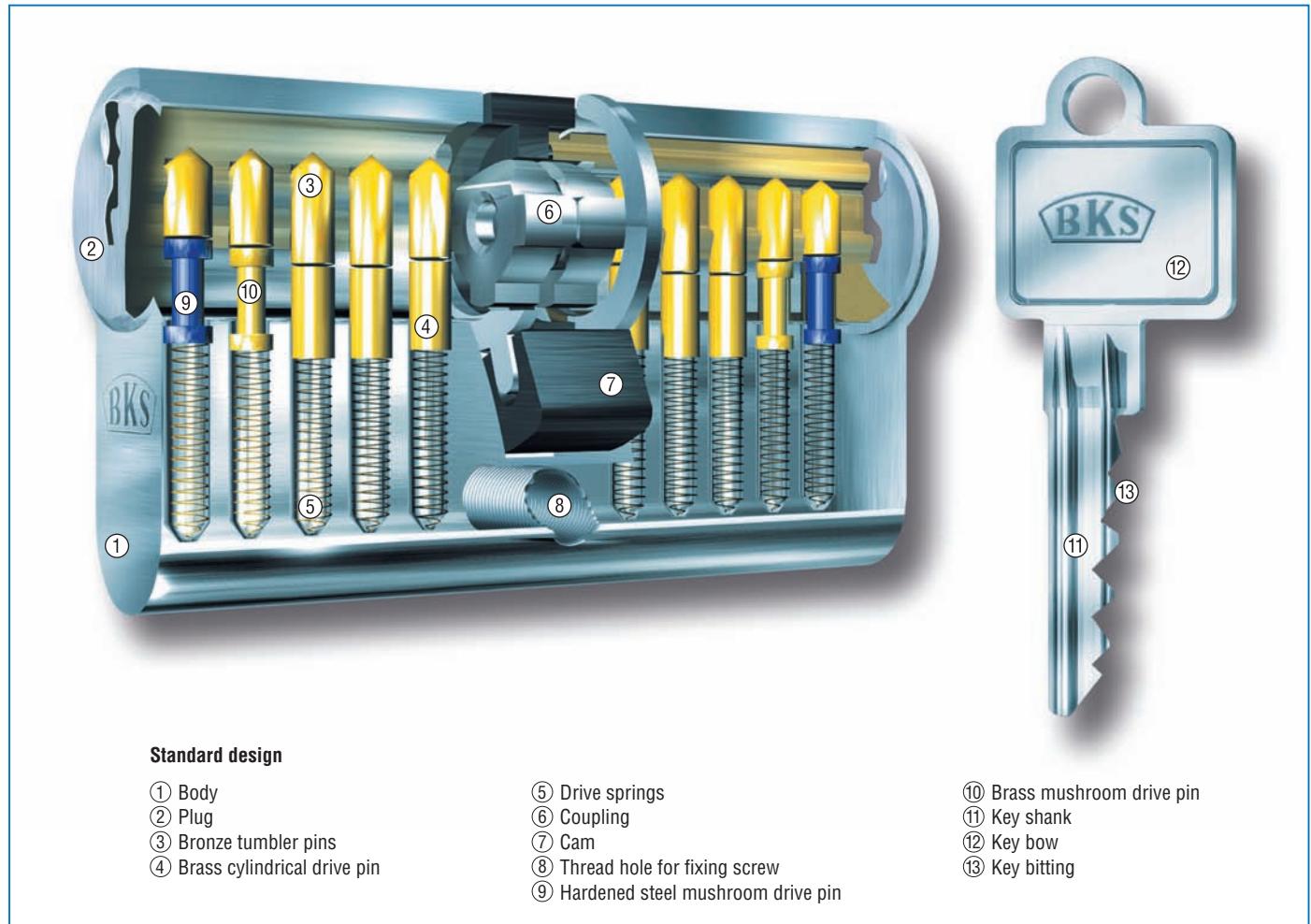
Cylinder system series 45 janus®
pages 12 – 13



Service and software
pages 14 – 15



Basic programme for standard applications

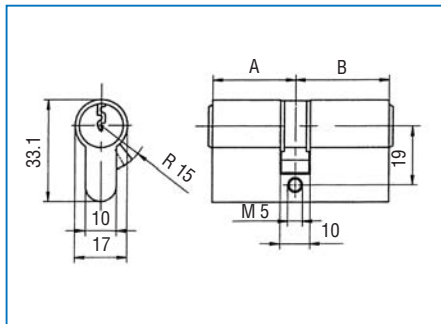


BKS locking cylinder series according to DIN EN 1303 and DIN 18252

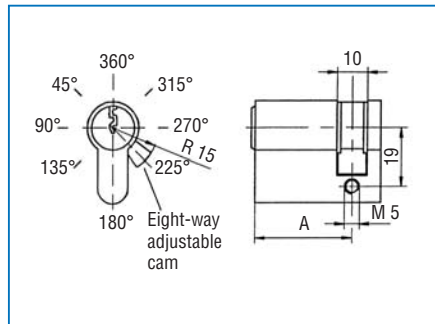
5 pin profile cylinder with paracentric key profile, for **single differ and keyed alike locking**. Brass cylinder body finished matt nickel or satin brass, with 3 steel keys, without escutcheons, with nickel plated steel fixing screw M5 x 80 mm.

Overview of cylinder variants

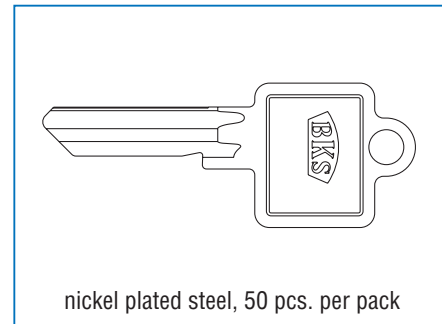
Double cylinder 8800



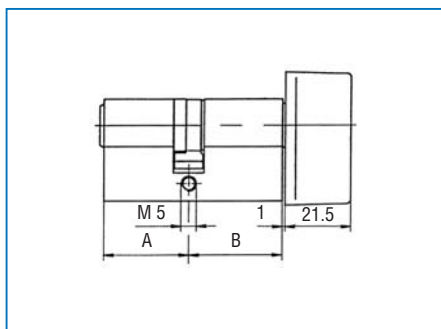
Half cylinder 8900



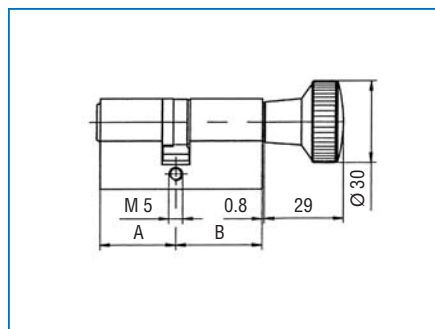
Blank key B 4135 0701



Knob cylinder 8804



Knob cylinder 8806



Additional compatible versions e.g. cam cylinders, rim locks and special cylinders are available in series 31.

Options and advice:

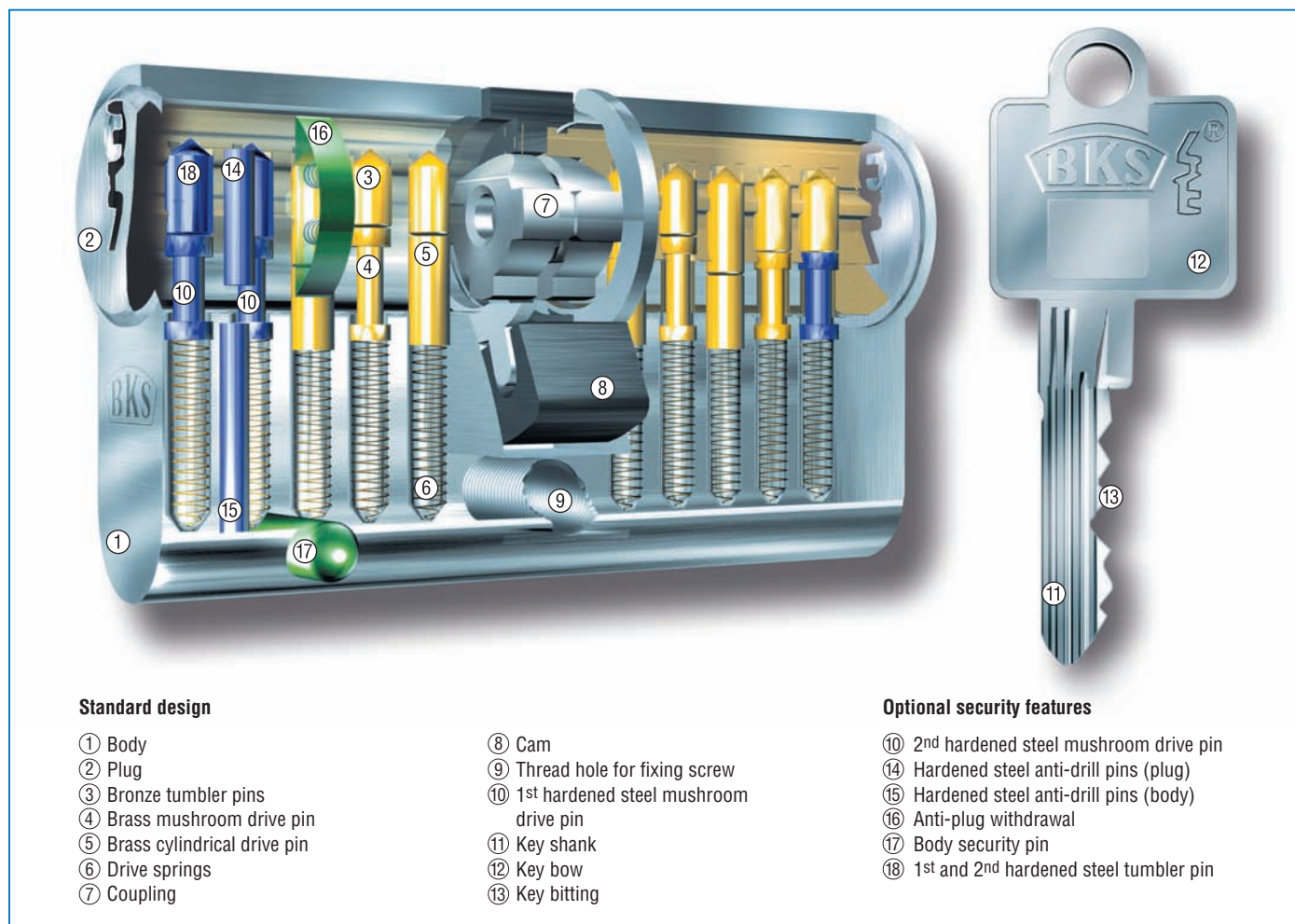
Emergency function Optional from BL 31/31 on both sides, from BL 27/31 on one side. The emergency function on double cylinders allows the cylinder to be operated even if a key is inserted on the other side of the cylinder.

Drill protection Available with optional certificated drill protection BSKA (two pairs of electro-plated hardened steel pins on each side of cylinder).

SKG approval Double, half and knob cylinders with  certification available on request.

We recommend the use of pre-mounted service cylinders. With these you can easily produce sets of keyed alike cylinders. Please consult us for further information.

Comprehensive cylinder range, especially for locking suites



Standard design

- ① Body
- ② Plug
- ③ Bronze tumbler pins
- ④ Brass mushroom drive pin
- ⑤ Brass cylindrical drive pin
- ⑥ Drive springs
- ⑦ Coupling

- ⑧ Cam
- ⑨ Thread hole for fixing screw
- ⑩ 1st hardened steel mushroom drive pin
- ⑪ Key shank
- ⑫ Key bow
- ⑬ Key bitting

Optional security features

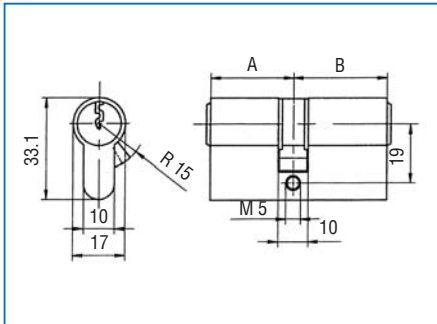
- ⑩ 2nd hardened steel mushroom drive pin
- ⑭ Hardened steel anti-drill pins (plug)
- ⑮ Hardened steel anti-drill pins (body)
- ⑯ Anti-plug withdrawal
- ⑰ Body security pin
- ⑱ 1st and 2nd hardened steel tumbler pin

BKS locking cylinder series according to DIN EN 1303 and DIN 18252

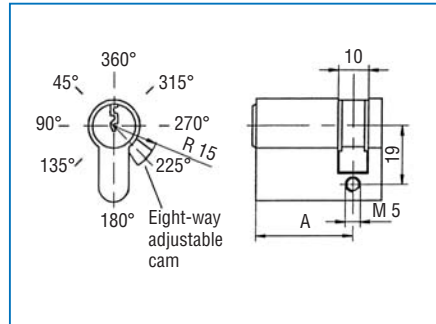
5 or 6 pin cylinder for **single differ, keyed alike locking; registered differ and suited applications (with security card)**. Brass cylinder body nickel plated, satin bronzed, dark-browned or polished brass, with 3 keys and M5 x 80 mm nickel plated steel fixing screw, without escutcheons.

Overview of cylinder variants

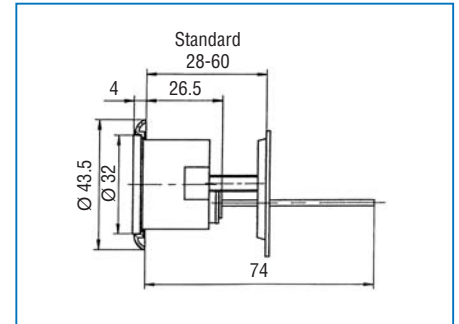
Double cylinder 3100



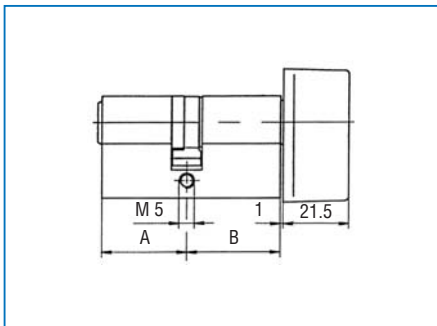
Half cylinder 3101



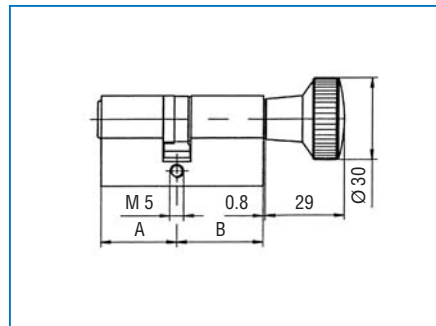
Rim cylinder 1309



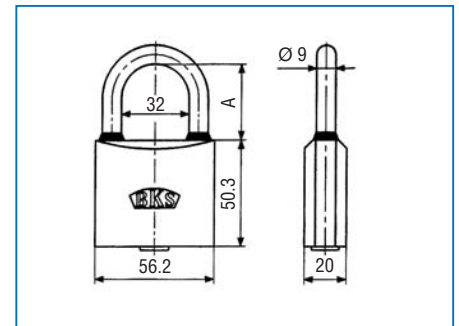
Knob cylinder 3104



Knob cylinder 3106



Brass padlock 0778



Other versions e.g. cam cylinders, rim locks and special cylinders are available.


Options and advice:

Emergency function Optional from BL 31/31 on both sides, from BL 27/31 on one side. The emergency function on double cylinders allows the cylinder to be operated even if a key is inserted on the other side of the cylinder.

Drill protection Available as an option: certificated drill protection versions BSKA (two pairs of electro-plated hardened steel pins on each side of cylinder) and BSKB (outside A with two pairs of electro-plated hardened steel pins and two hard metal drill protection pins each in plug and body).

Drill and withdrawal protection Protection against cylinder plug being withdrawn and drilled (BZKB). Outside cylinder plug and outside of cylinder body with hardened steel anti-drill pins and body security pin to secure a broken cylinder behind the backplate of the security furniture (optional).

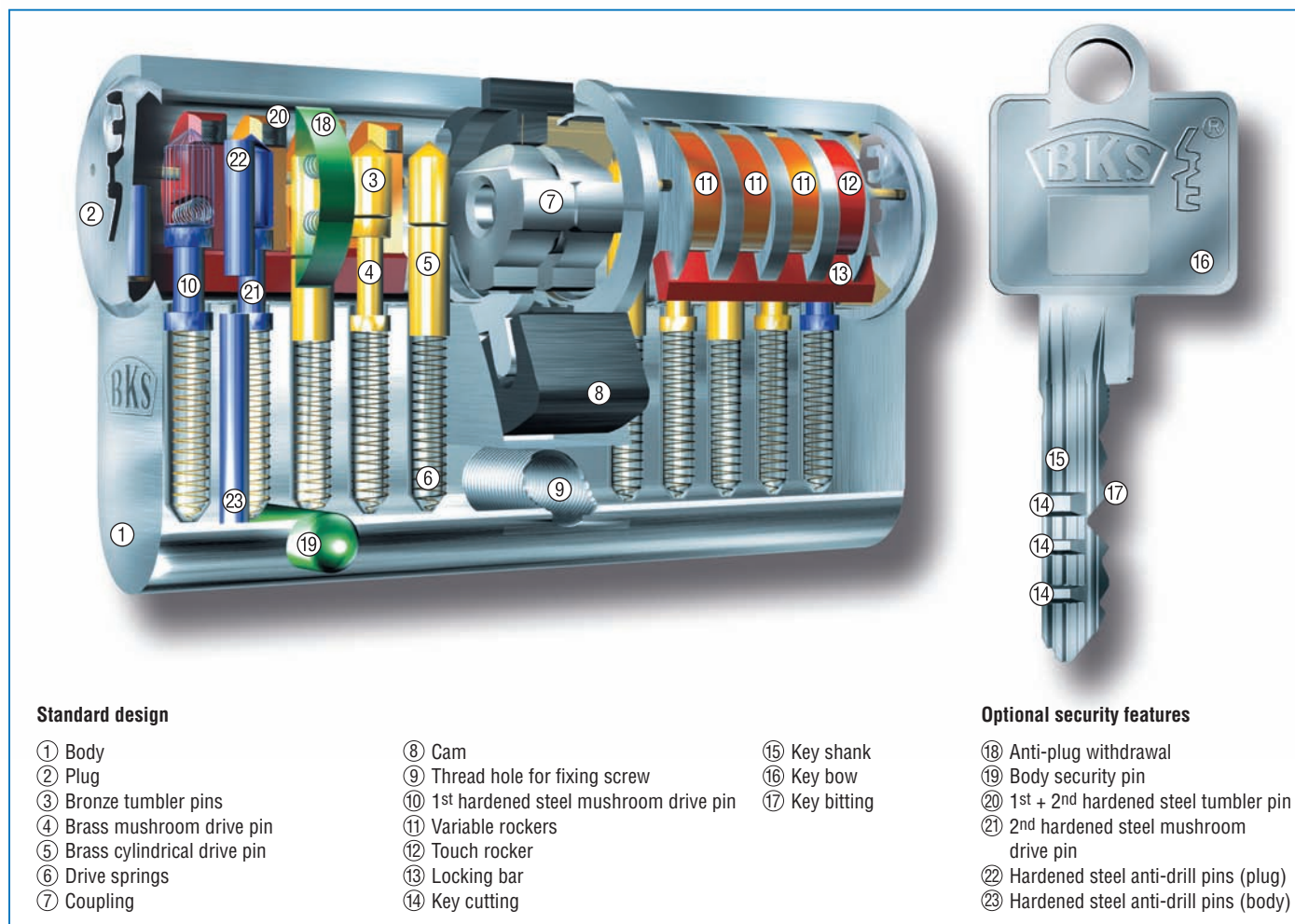
VdS approval Double, half and knob cylinders with VdS certification available on request. (VdS = Association of German property insurers)

SKG approval Double, half and knob cylinders with  and  certification available on request.

Combinations with cylinder series 33 SL possible.

Mounted and pre-mounted cylinders with customer specific profiles available.

Two security systems combined in one locking cylinder



Standard design

- ① Body
- ② Plug
- ③ Bronze tumbler pins
- ④ Brass mushroom drive pin
- ⑤ Brass cylindrical drive pin
- ⑥ Drive springs
- ⑦ Coupling

- ⑧ Cam
- ⑨ Thread hole for fixing screw
- ⑩ 1st hardened steel mushroom drive pin
- ⑪ Variable rockers
- ⑫ Touch rocker
- ⑬ Locking bar
- ⑭ Key cutting

Optional security features

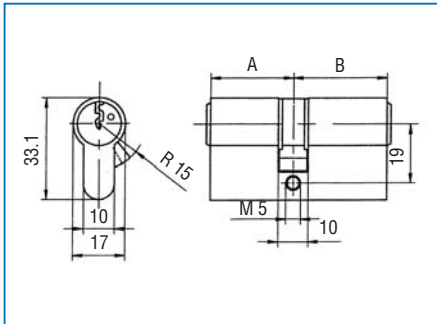
- ⑮ Key shank
- ⑯ Key bow
- ⑰ Key bitting
- ⑱ Anti-plug withdrawal
- ⑲ Body security pin
- ⑳ 1st + 2nd hardened steel tumbler pin
- ㉑ 2nd hardened steel mushroom drive pin
- ㉒ Hardened steel anti-drill pins (plug)
- ㉓ Hardened steel anti-drill pins (body)

BKS locking cylinder series according to DIN EN 1303 and DIN 18252

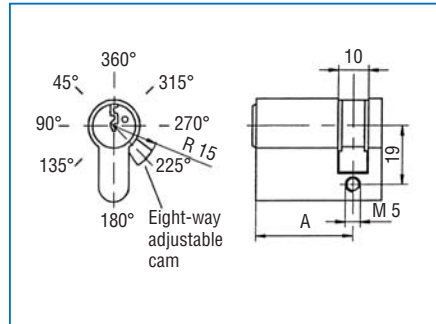
5 or 6 pin profiled cylinder for **registered differ, keyed alike locking and suited applications, with security card**, with additional side bar locking and 4 sprung locking elements within cylinder body. Brass cylinder body nickel plated, satin bronzed, dark browned or polished brass, with 3 keys, with M5 x 80 mm nickel plated steel fixing screw, without escutcheons.

Overview of cylinder variants

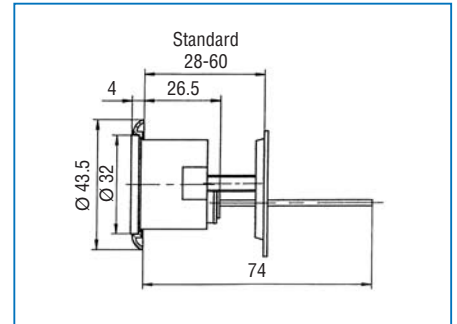
Double cylinder 3300



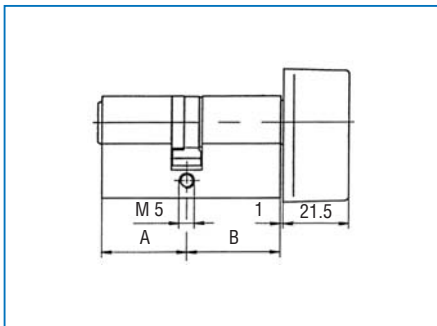
Half cylinder 3301



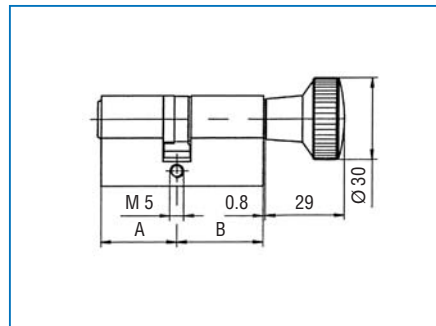
Rim cylinder 3319



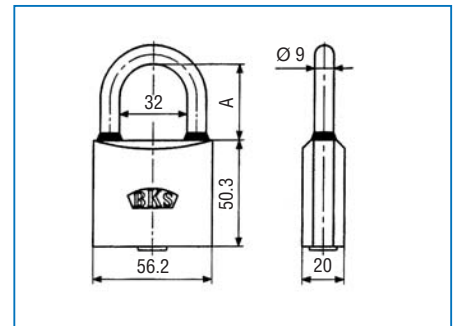
Knob cylinder 3304



Knob cylinder 3306



Brass padlock 3328



Other versions e.g. cam cylinder, rim locks and special cylinders are available.

Options and advice:

Emergency function Optional from BL 31/31 on both sides, from BL 27/31 on one side. The emergency function on double cylinders allows the cylinder to be operated even if a key is inserted on the other side of the cylinder.

Drill protection Available as an option: certificated drill protection versions BSKA (two pairs of electro-plated hardened steel pins on each side of cylinder) and BSKB (outside A with two pairs of electro-plated hardened steel pins and two hard metal drill protection pins each in plug and body).

Drill and withdrawal protection Protection against cylinder plug being withdrawn (BZKB). Outside plug and outside of cylinder body with hardened steel anti-drill pins and body security pin to secure a broken cylinder behind the backplate of the security furniture (optional).

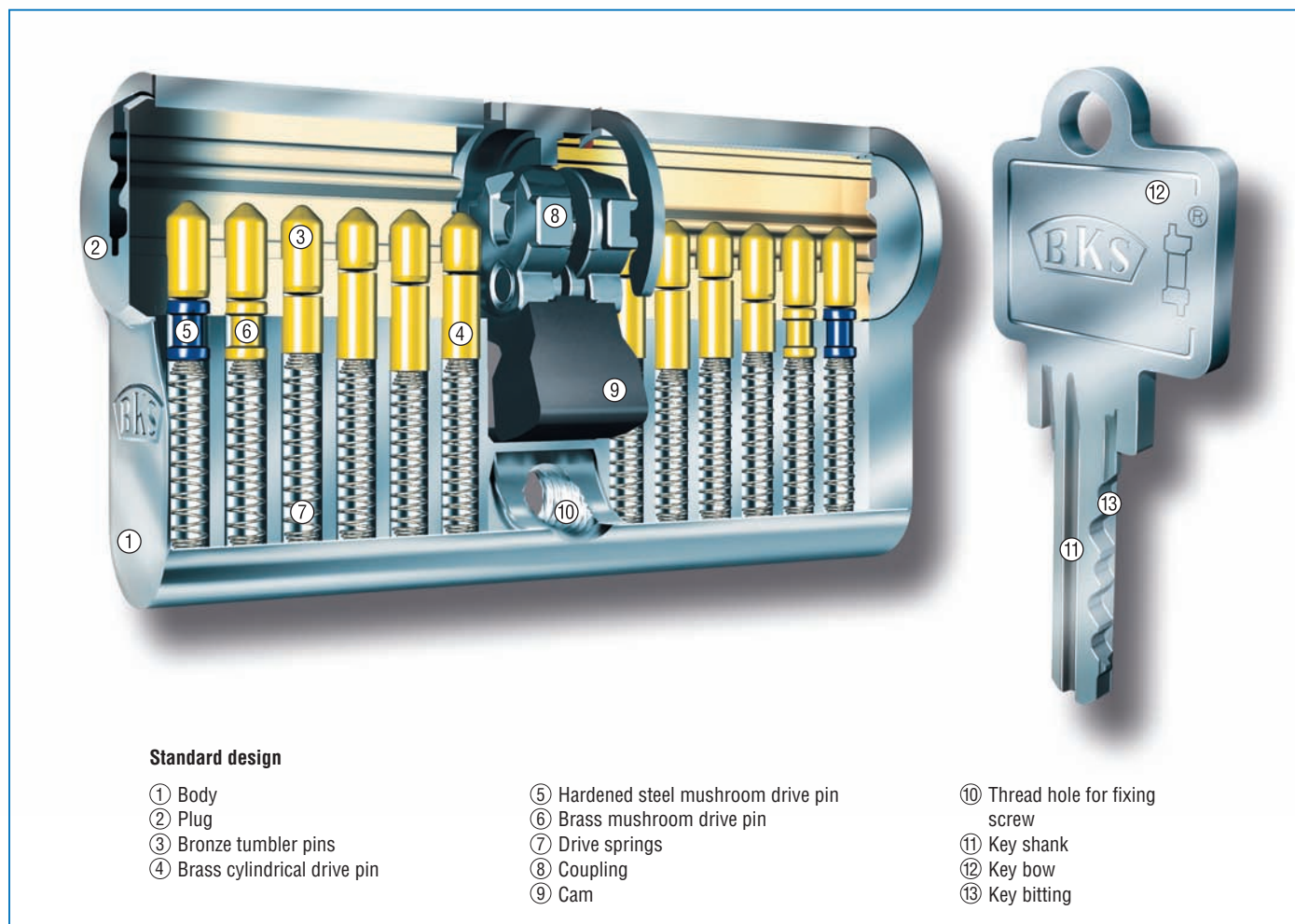
VdS approval Double, half and knob cylinders with VdS certification available on request. (VdS = Association of German property insurers)

SKG approval Double, half and knob cylinders with  and  certification available on request.

Combinations with cylinder series 31 possible.

Mounted and pre-mounted cylinders with customer specific profiles available.

High-quality reversible key system with 6 locking pins in a row

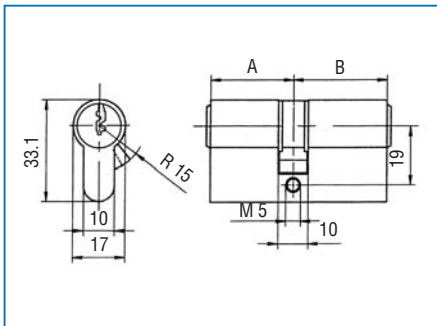


BKS locking cylinder series according to DIN EN 1303 and DIN 18252

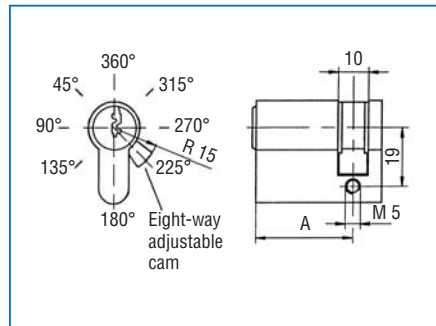
Reversible key technology; 6 pin profile cylinder with reversible key system, with paracentric key profile, **single differ and keyed alike locking** with 3 brass nickel plated keys. **Registered differ and suited applications with security card**, for suited applications number of keys in nickel-bronze variable according to request. Brass cylinder body finished matt nickel or satin brass, without escutcheons, with nickel plated steel fixing screw M5 x 80 mm.

Overview of cylinder variants

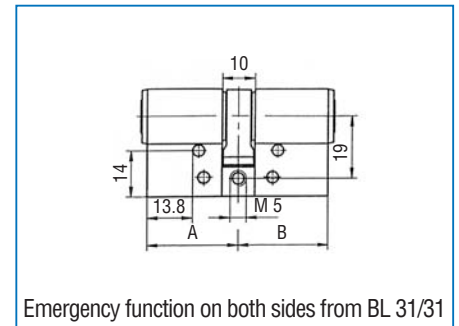
Double cylinder 5000



Half cylinder 5001

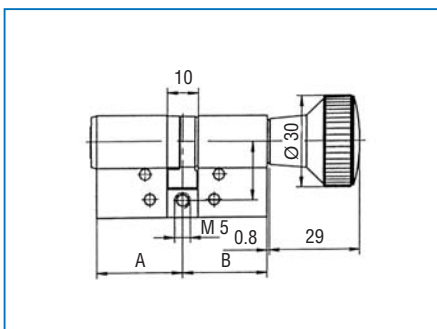


Double cylinder 5012

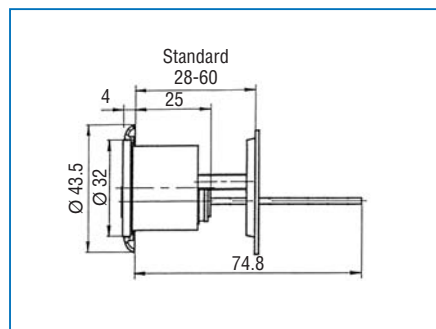


Emergency function on both sides from BL 31/31

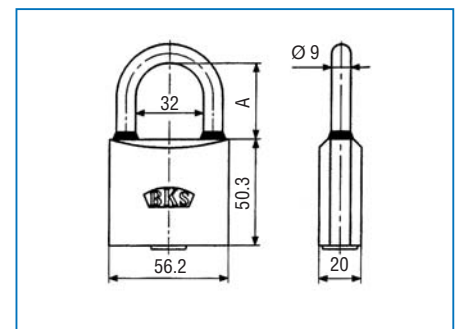
Knob cylinder 5006



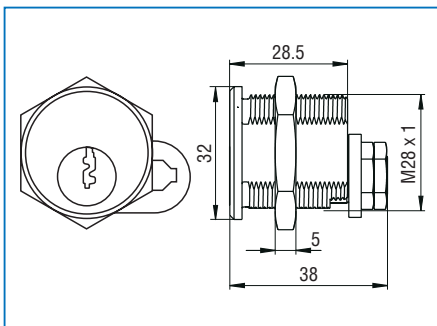
Rim cylinder 5009



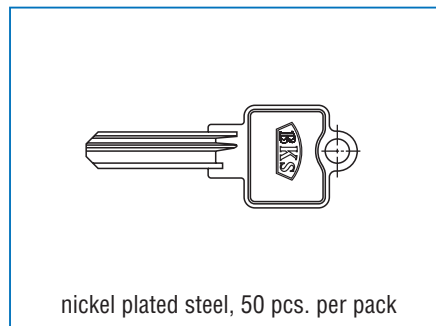
Brass padlock 5028



Cam cylinder 5066



Blank key 5036



nickel plated steel, 50 pcs. per pack

Options and advice:

Available length and emergency function

From BL 31/31; emergency function on both sides as an option. The emergency function on double cylinders allows the cylinder to be operated even if a key is inserted on the other side of the cylinder.

Drill protection

Available as an option: certificated drill protection versions BSKA (two pairs of electro-plated hardened steel pins on each side of cylinder) and BSKB (outside A with two pairs of electro-plated hardened steel pins and two hard metal drill protection pins each in plug and body).

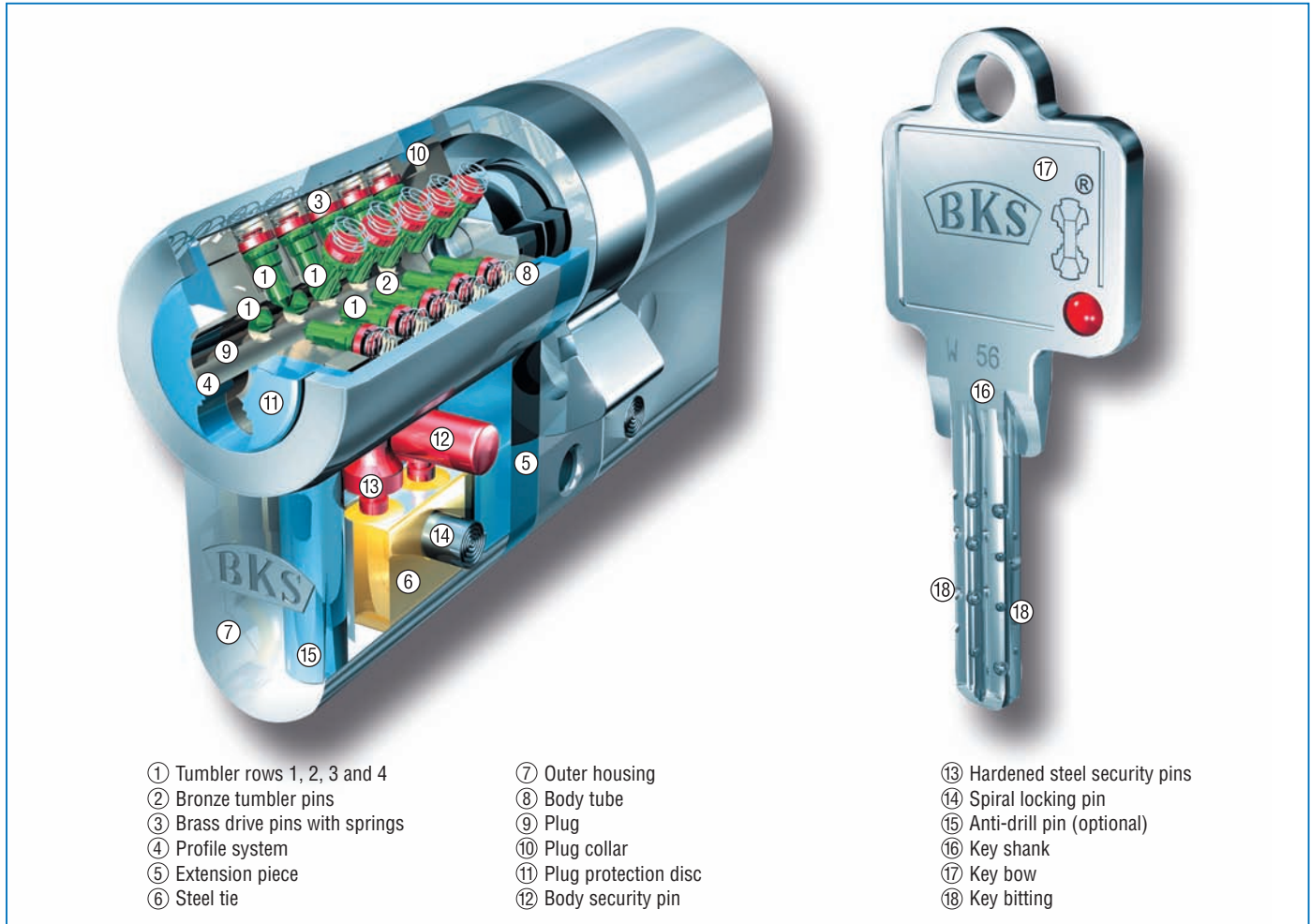
Drill and withdrawal protection

Protection against cylinder plug being withdrawn and drilled (BZKB). Outside cylinder plug and outside of cylinder body with drill protection BSKB. Body security pin to secure a broken cylinder behind backplate of security furniture (optional).

SKG approval

Double, half and knob cylinders with certification available on request.

Top quality mechanics of outstanding function and design



- ① Tumbler rows 1, 2, 3 and 4
- ② Bronze tumbler pins
- ③ Brass drive pins with springs
- ④ Profile system
- ⑤ Extension piece
- ⑥ Steel tie

- ⑦ Outer housing
- ⑧ Body tube
- ⑨ Plug
- ⑩ Plug collar
- ⑪ Plug protection disc
- ⑫ Body security pin

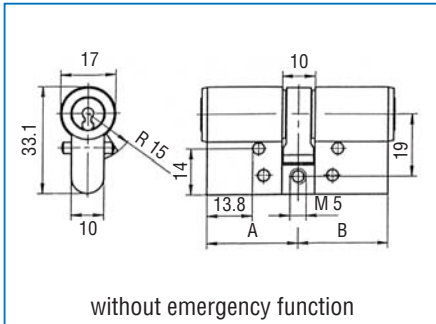
- ⑬ Hardened steel security pins
- ⑭ Spiral locking pin
- ⑮ Anti-drill pin (optional)
- ⑯ Key shank
- ⑰ Key bow
- ⑱ Key biting

BKS locking cylinder series according to DIN EN 1303 and DIN 18252

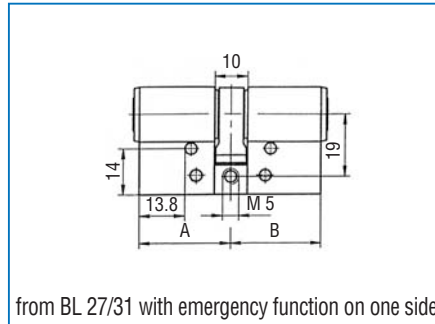
Reversible key technology; cylinders in “sandwich design”, variable in length, for registered differ, keyed alike locking and suited applications with security card, with 4 rows of pins, steel tie bar, cover cap in satin or polished nickel plated brass or in chrome nickel steel, with 3 keys (for suited applications key quantity on request), without escutcheons, with nickel plated steel fixing screw M5 x 80 mm.

Overview of cylinder variants

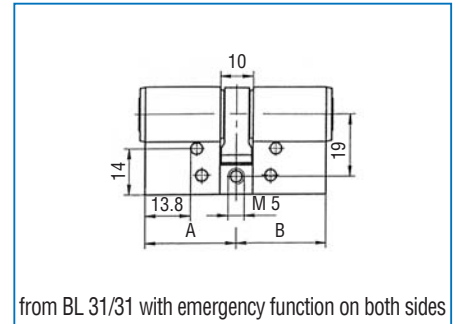
Double cylinder 4500



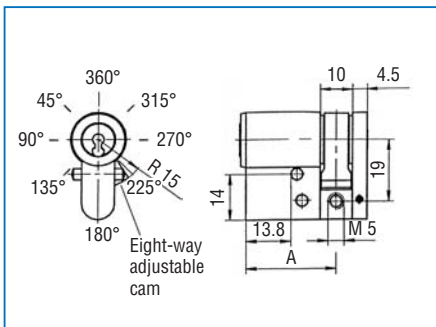
Double cylinder 4502



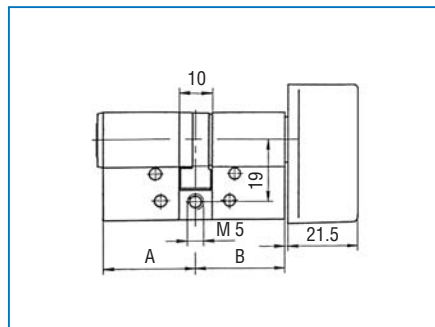
Double cylinder 4512



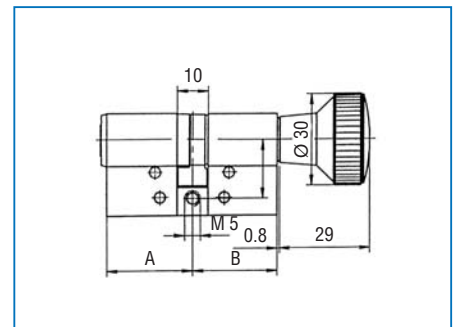
Half cylinder 4501



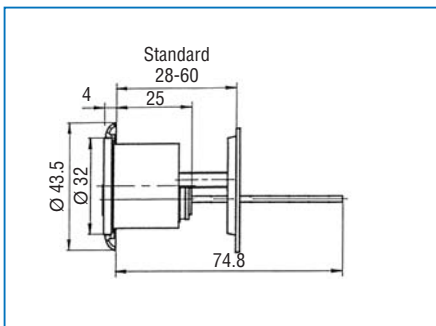
Knob cylinder 4504



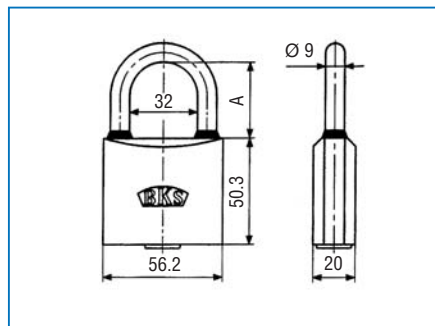
Knob cylinder 4506



Rim cylinder 4509



Brass padlock 4528



Other versions e.g. cam cylinders, rim locks and special cylinders are available.

Options and advice:

Emergency function Optional from BL 31/31 on both sides, from BL 27/31 on one side. The emergency function on double cylinders allows the cylinder to be operated even if a key is inserted on the other side of the cylinder.

Drill and withdrawal protection Certificated drill and withdrawal protection BZWC (hardened steel plug disk, body reinforcement and body locking pin) optional for both sides of cylinder. Outside cylinder with plug protection disc of hardened steel and additional hard metal anti-drill pin in the body (drill and withdrawal protection BZWB). As standard for profile cylinders for registered differ, optional for suites.

VdS approval Double, half and knob cylinders with VdS certificates available on request. (VdS = Association of German property insurers)

SKG approval Double, half and knob cylinders with  certification available on request.

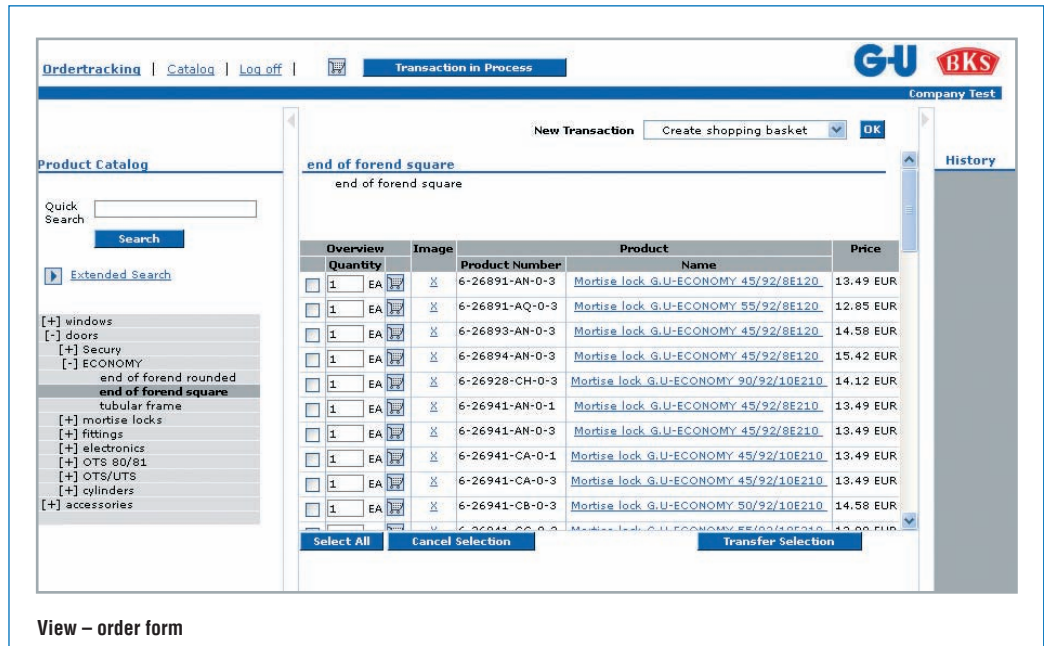
CIS – Customer Information System / KeyManager

CIS – Customer Information System

CIS is an internet based information and ordering platform for all divisions of the company group. Developed for all articles with established article number, e.g. stored goods, the system helps to achieve reduced delivery periods and to avoid questions concerning orders. The constant development of this product allows for order processing at a high technical standard.

The system offers the following functions:

- Access to all orders of the whole company group
- Tracking of all orders
- Creation of orders in the divisions windows, doors and accessories
- Real time availability check of all articles
- Collecting invoices to all orders in PDF format



View – order form

- Quotations:
 - for all articles with established article number
 - return of quotation by email
 - creation of quotation at prevailing conditions
 - quotations convertible into orders

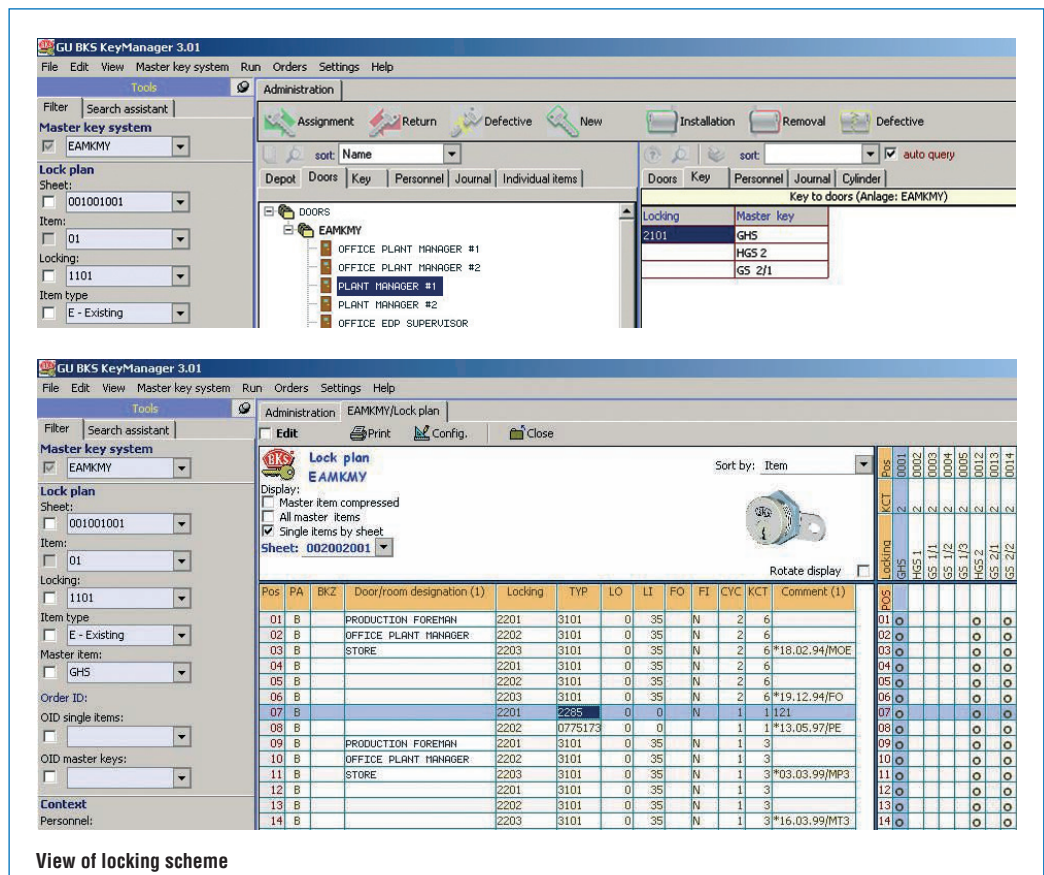
BKS KeyManager 3.01

With the BKS KeyManager 3.01 you always keep your locking suite under control.

Anyone who is in charge of managing a major locking suite knows the efforts this job involves:

Who received which key and when? When was the key returned? And which key fits on which doors?

With the BKS KeyManager 3.01 you gain easy and time-saving control of your locking suite. As user-friendly software, the programme helps you to manage locking suites safely and effortlessly.



MKS – MasterKeySystem

MKS – MasterKeySystem

MKS – MasterKeySystem is an **internet based planning and ordering platform for locking suite**. The software was developed to simplify the order processing in the field of locking suites and to provide maximum service. Delivery periods and the number of questions concerning orders are reduced.

The permanent development of this product allows for order processing at a high technical standard.

The following order processing functions are currently possible:

- Creation of new locking suites for all profile systems
- Creation of extensions of existing locking suites for all profile systems
- Creation of subsequent key deliveries
- Quotation module for new locking suites and extensions
- Services free of charge:
 - online collection of locking schemes
 - locking suite data for BKS
 - KeyManager 3.01
 - key identification
 - keys' book
 - key labels

System requirements:

- internet access
- Internet Explorer 5.5 or higher
- magnetic card reader

1 View – order data

2 View – single positions

Sheet: 000000001	Save	New sheet	Type of article	Configuration	Print								
Position	PA	Door or room description (1)	Door or room description (2)	Differ (1)	Differ (2)	Type of article	LO	LI	FO	PO	QC	QK	Characteristic texts
01		ROOM 1				5012	31	35	31			1	0
02		ROOM 2				5012	31	35	31			1	0
03		ROOM 3				5012	31	35	31			1	0
04		ROOM 4				5012	31	35	31			1	0
05													
06													
07													
08													
09													
10													
11													
12													
13													
14													

3 View – function chart

Sheet: 000000001	Save	Print
Door/Room	Key	
01 ROOM 1		
02 ROOM 2		
03 ROOM 3		
04 ROOM 4		
05		
06		
07		
08		
09		
10		
11		
12		
13		

4 View – subsequent delivery of keys

Sheet: 0001	Save	Print	Configuration				
Serial Position	PA	Key. Art.	Key number	Quantity	Piece	Legend	Characteristic texts
0001							

Advantages:

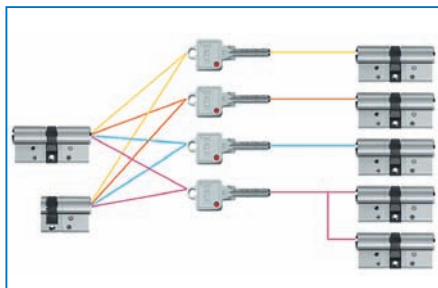
- sending orders
- permanent update of article data
- permanent connection to our internal systems
- maximum supply of data concerning existing master key systems
- integrated plausibility check to prevent errors
- no additional software required
- password login with supervisor function

- 1 View – order data
- 2 View – single positions
- 3 View – function chart
- 4 View – subsequent delivery of keys

Locking cylinders



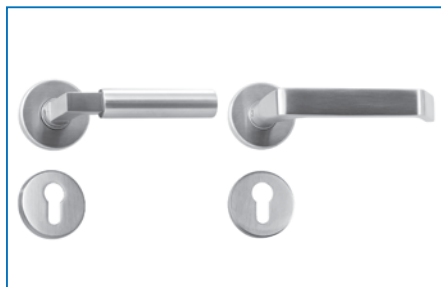
Suited cylinders



Locks



Door furniture



Door closers



Window and door management



Access control systems



Escape door systems



Service



Gretsch-Unitas GmbH Baubeschläge
Johann-Maus-Str. 3
D-71254 Ditzingen
Phone: +49 (0) 7156 301-0
Fax: +49 (0) 7156 301-293
www.g-u.de
vertrieb-inland@g-u.de



BKS GmbH
Heidestr. 71
D-42549 Velbert
Phone: +49 (0) 2051 201-0
Fax: +49 (0) 2051 201-431
www.bks.de