

Multipoint door locks G.U-SECURY
for timber, PVC and aluminium doors



Multipoint door locking – automatic, manual and via electric motor

Proven for house and flat entrance doors

G.U offers an extended programme of multipoint door locks for house, flat and secondary entrance doors of timber, PVC and aluminium. G.U-SECURITY door locks are highly approved by the great practical benefit they provide to our customers.

The programme

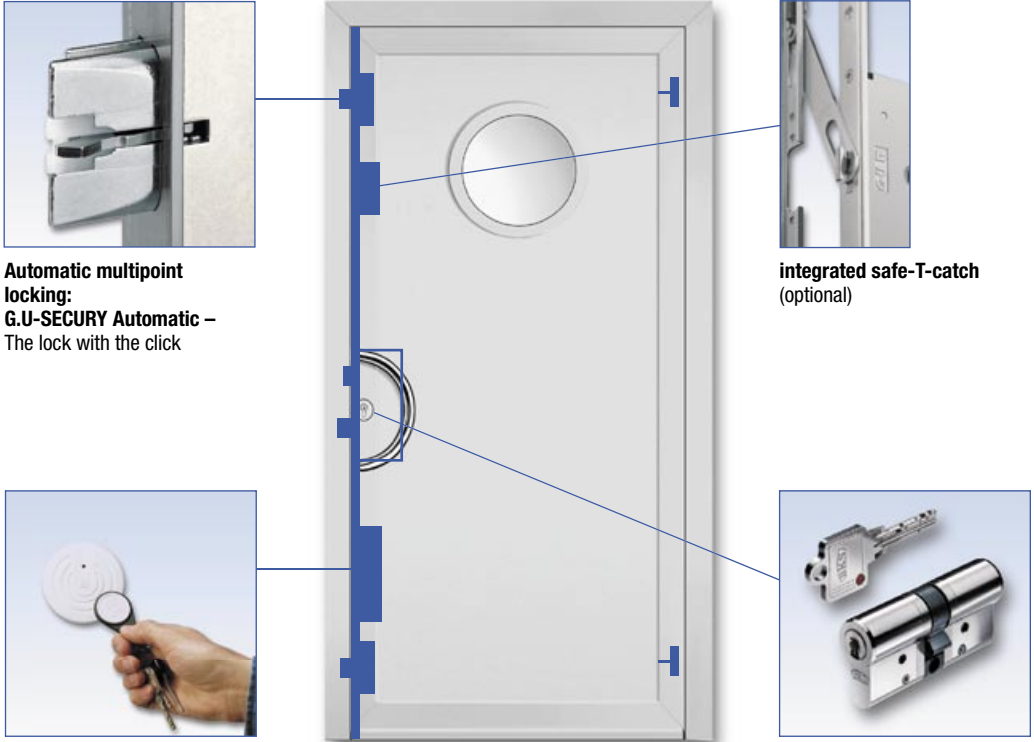
- SECURITY Automatic
- SECURITY solid deadbolt (MR)
- SECURITY double deadbolt (DR)
- SECURITY locking claws (SH)
- SECURITY roller cams (R)

The complete range including accessories is contained in our order catalogue

ferGUard*silver

All SECURITY hardware components come with the proven surface sealing ferGUard*silver.

This high quality finish distinguishes itself by its outstanding corrosion protection providing long-lasting sealing of hardware surfaces. ferGUard*silver meets future EU standards of environmental protection already today!.



Automatic multipoint locking: G.U-SECURITY Automatic – The lock with the click

integrated safe-T-catch (optional)

G.U-SECURITY Automatic with A-opener and SECURITY COMFORT (optional)

BKS security locking cylinder janus®



VdS* certificate

Entrance doors equipped with a G.U-SECURITY Automatic door lock are VdS tested to class A.

In actuarial practice, a door with automatically thrown deadbolting latches is considered as efficiently locked as with a conventional lock with manually operated rectangular deadbolt.

G.U-SECURITY Automatic is recommended by the information centres of the German Police.

* VdS = German association of non-life insurers.

The lock with the “click”

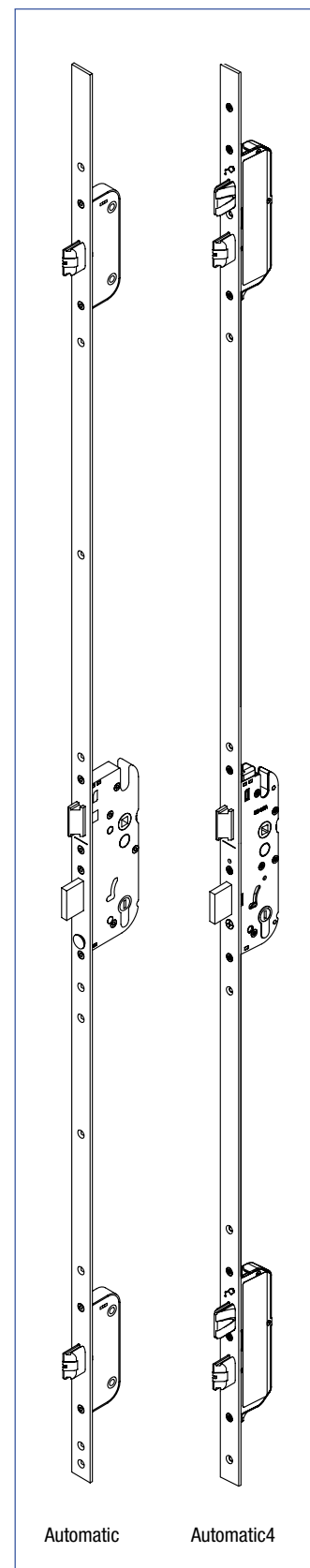
The door that locks itself!

G.U-SECURY Automatic gives automatic security: simply close the door – two (or four) latches automatically throw 20 mm and become rigid deadbolts which are locked against being forced back.

An outstanding contribution to perfect security provision for all flat and house entrance doors.



Locking: automatic
Unlocking: manual



Unlocking

From outside, the release of a door pulled shut is effected by a turn of the key, from inside via door handle.

VdS tested to class A



Entrance doors equipped with G.U-SECURY Automatic are

tested to WK 2 and WK 3



The advantages

- Improved protection against burglary.
- The door is prevented from warping since it is **always locked**.
- Reversible latches and deadbolting latches provide DIN lh and DIN rh use of the locks.
- Extensive range of G.U-SECURY accessories.

Variants

- Automatic
- Automatic with A-opener
- Automatic with safe-T-catch
- Automatic with panic-function / fire protection

G.U-SECURY Automatic locks are available in the current versions of centres, backsets, forends and spindles for timber, PVC and aluminium doors. Product details on page 10.

Automatic locking – motor-driven unlocking

From inside: by push-button

In spite of the G.U-SECURY Automatic multipoint locking, the door can still be released electrically, e.g. by push-button via intercom.

Greatest convenience – after closing, the door is again automatically multi-point locked.

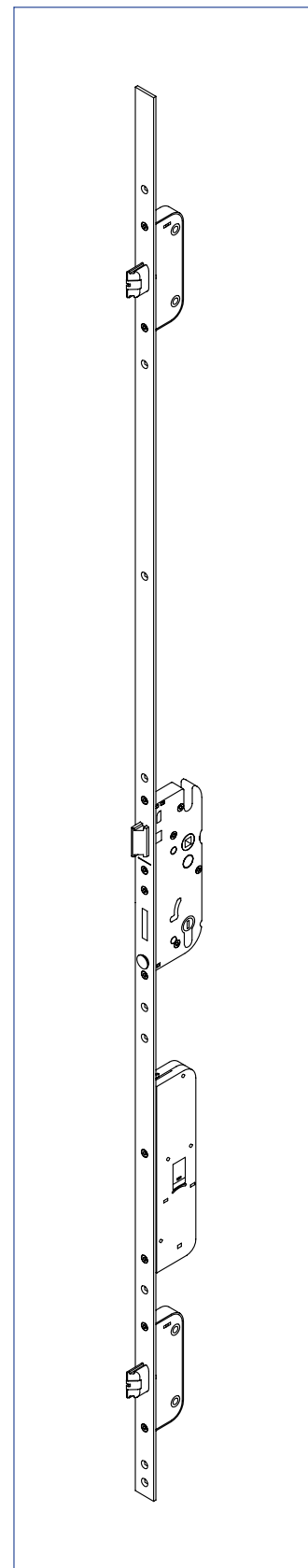


Locking: automatic
Unlocking: motor-driven



From outside: contactless with the SECURY COMFORT set

and electronic “key”.
After closing, the door is automatically multipoint locked again.



The innovation where reliable functioning of escape doors is concerned

No access for unauthorised persons from outside, whereas unlocking from inside is possible at any time.

After closing, the door is automatically multipoint locked but can always be opened from inside via turn handle (DIN EN 179) or via push-bar (DIN EN 1125).

From the outside (provided the door is equipped with fixed pull and profile cylinder), opening is possible by key only.

The advantages

- Provided with a latch, 2 dead-bolting latches and panic function "E" (escape function), a G.U-SECURY Automatic door lock at the same time provides maximum burglary protection, convenient door operation and escape route safety in case of an emergency.
- Safe functioning without free-wheel cylinder: To achieve many years of reliable functioning, G.U-SECURY Automatic does not require a special cylinder with free-wheel function. Any standard profile cylinder can be used.
- It is ideally suitable for secondary entrance doors, e.g. in cinemas, hotels, hospitals, schools and public buildings.

Variants

- with panic function "E"
- for fire rated doors
- for fire rated doors with panic function "E"



Panic function "E":

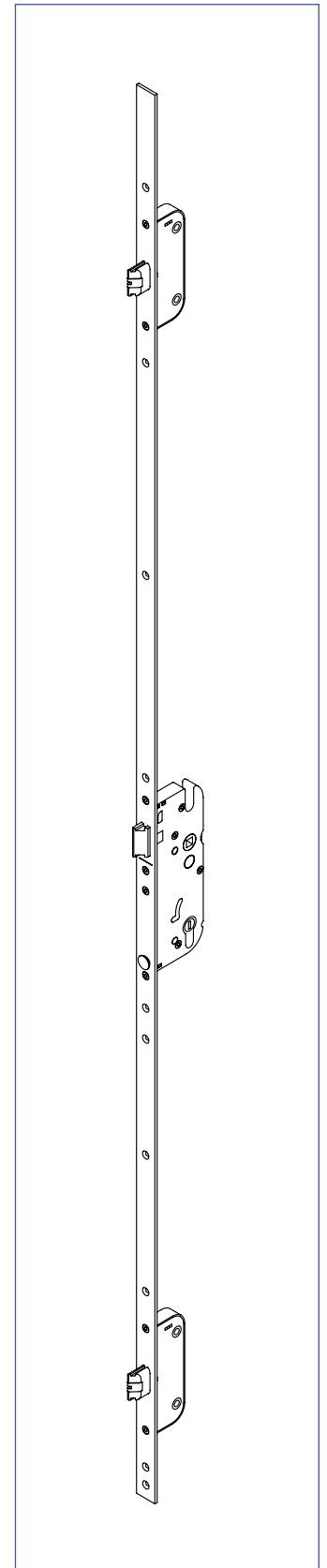
(E = latch lever function or escape function) basically allows opening the door from inside.



G.U-SECURY door locks provided with this function are licensed for the use with door furniture to DIN EN 179 (turn handles) and DIN EN 1125 (push-bars).

Please ask for the brochure "Escape door systems for Europe".

Locking: automatic
Unlocking: manual



High quality locking technology G.U-SECURITY MR with the G.U solid deadbolt!

The advantages

- G.U-SECURITY MR comes with 2 or 4 solid bolts – this means 3-point or 5-point locking over the total height of the door.
- The special feature of this deadbolt: a hardened steel insert makes it proof against being sawn through.
- With solid deadbolt and deadbolting latch having the same geometry as with G.U-SECURITY Automatic, the G.U-SECURITY MR accessories used on the door frame are also the same.
- With the MR 2 M lock, doors can be locked and unlocked from a control centre and also via access control system – e.g. with BKS ESI 58 ZUKO or radio control system.



Variants

- MR 2 (2 solid deadbolts)
- MR 4 (4 solid deadbolts)
- MR 2 with safe-T-catch
- MR/R (2 solid deadbolts and 2 roller cams)
- MR/R with safe-T-catch
- MR 2 M (2 solid deadbolts and 2 motors) for motor-driven locking and unlocking

G.U-SECURITY MR is available with all current centres, backsets, forend and follower types for timber, PVC and aluminium doors.
Product details on page 10.

Accessories

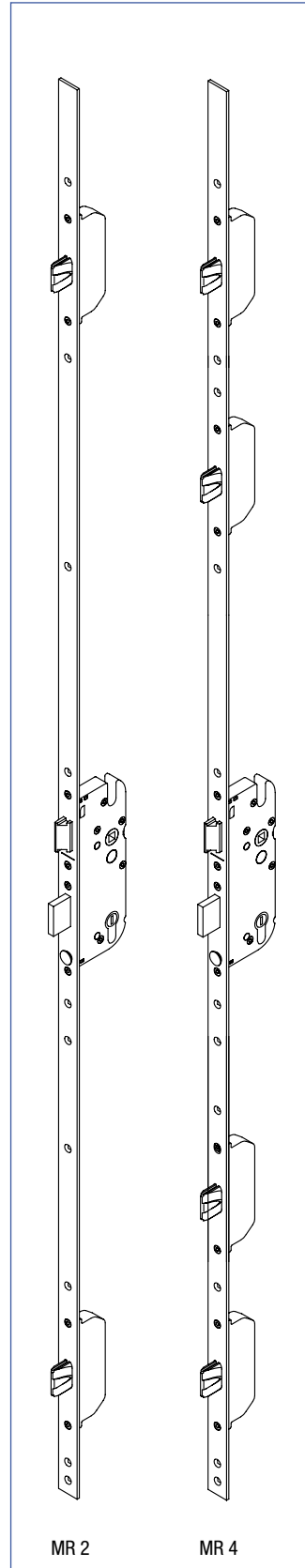
- ESI 58 access control system, order no. K-16733-00-0-0
- Radio control system, order no. 6-32263-00-0-0
- Hand-held transmitter, order no. 6-32264-**-0-0
- Cable ducts, see order catalogue

Entrance doors equipped with the safety door lock G.U-SECURITY MR 4 are

WK 3 tested

(Testing institute: PTE Rosenheim GmbH)

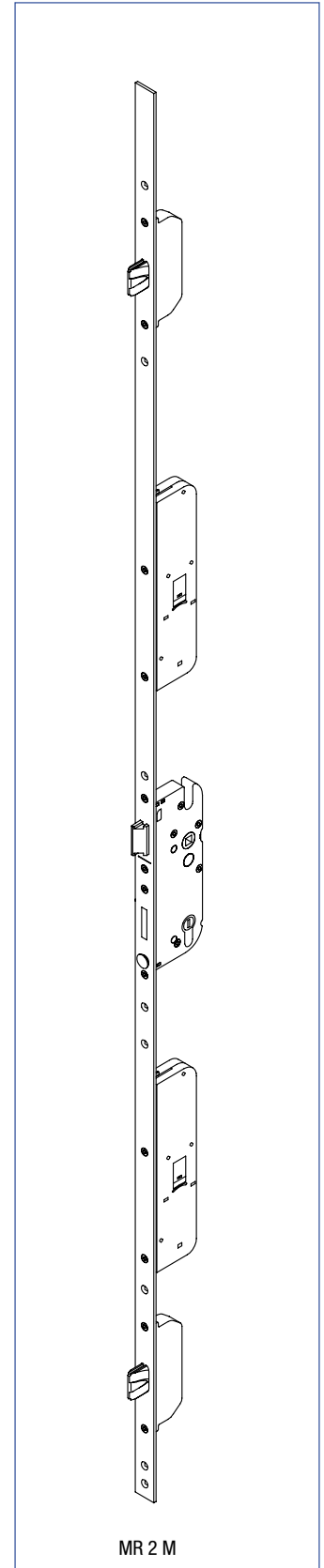
Locking: manual
Unlocking: manual



MR 2

MR 4

Locking: motor-driven
Unlocking: motor-driven



MR 2 M

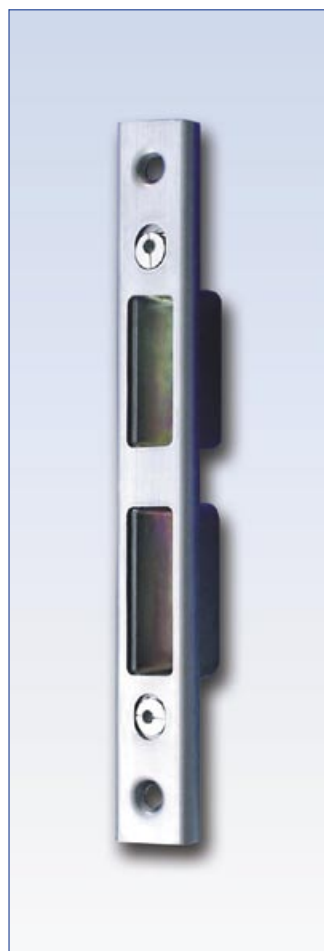
Mechanic multipoint locking – a security plus for timber, PVC and aluminium house entrance doors

G.U-SECURITY DR is another product of the G.U range of burglar-proof multipoint door locks for timber, PVC and aluminium house or secondary entrance doors.

G.U-SECURITY DR is distinguished by two double deadbolts positioned at top and bottom each.

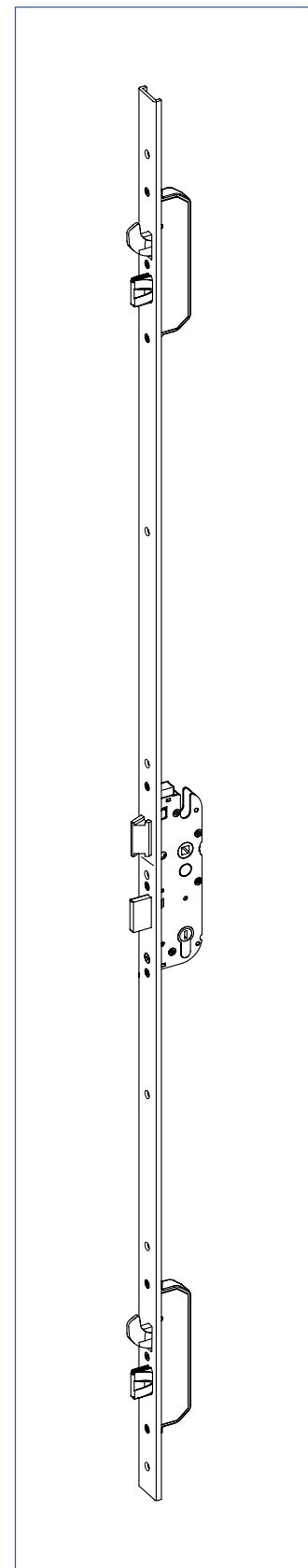
The advantages

- Perfect multipoint locking in double execution – G.U-SECURITY DR was developed from the proven safety door locks G.U-SECURITY SH and MR. Two solid deadbolt/locking claw pairs each at top and bottom throw simultaneously upon manual key actuation.
- G.U-SECURITY DR was designed with special regard to quality and safety. The solid deadbolts and locking claws have inserts of hardened steel which make them proof against being sawn through.
- Increased closing pressure of the door lock achieved by:
 - double deadbolts locking tightly at top and bottom
 - locking claws engaging firmly behind the steel plate in the keeper from below.
- Tight closing due to optimum force applied to the seals, improved heat insulation and powerful protection against attempts to separate door leaf and frame by force.



Locking: manual

Unlocking: manual



Proven safety door locks with locking claws or roller cams

G.U-SECURITY SH with locking claws

Solid steel claws resist the separation of the door leaf from its frame by force, thus hindering break-in attempts successfully. Powerful security from solid steel claws.



The advantages

- Solid, stable and robust.
- 24 mm throw – which is considerably more than required by DIN. The hook is engaged behind the steel plate in the keeper. The claws are protected in locked position against being forced back.
- Can be combined with other components of the SECURITY system.

Variants

- SH 2 (2 locking claws)
- SH 4 (4 locking claws)
- SH 2 with safe-T-catch

G.U-SECURITY R with roller cams

G.U-SECURITY R 4 with roller cams is the pioneer within the SECURITY programme.

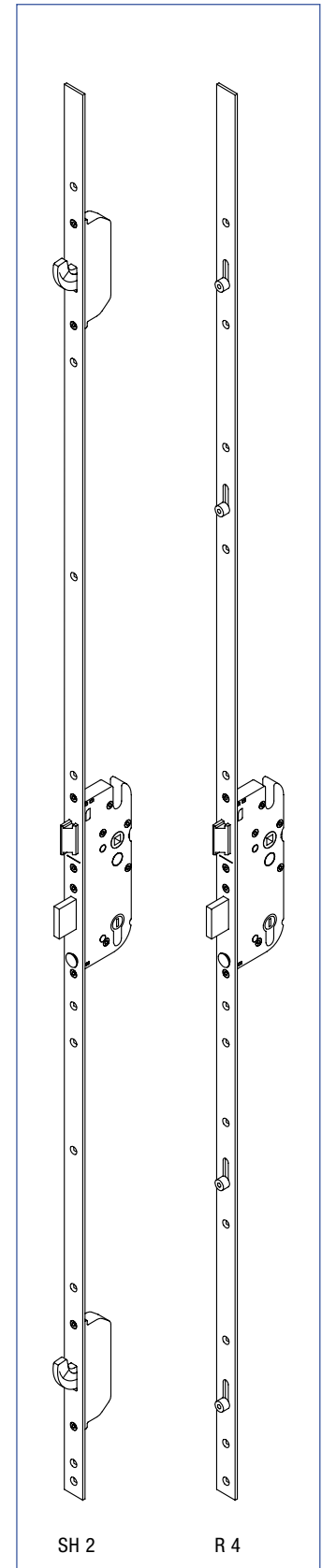
The adjustable roller cams (8 mm height, Ø 11 mm) optimise the closing pressure in the upper and lower zone of the door thus providing high thermal and sound insulation.

In combination with other locking components such as solid deadbolts and locking claws with inserts of hardened steel, G.U-SECURITY R door locks offer the highest possible degree of security.



Locking: manual

Unlocking: manual



SH 2

R 4

Automatic – solid deadbolts – locking claws – roller cams



Simple and convenient operation of safe-T-catch via turn knob

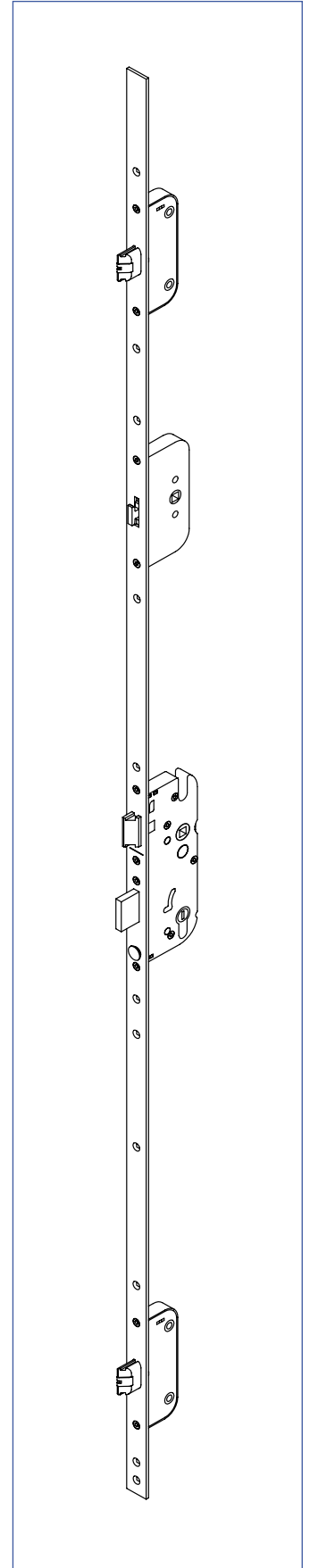
The advantages

- No face fixed lock and no chains either!
- Integrated one way door opening restrictor system with convenient operation via turn knob and door lock cylinder.
- From inside the safe-T-catch is engaged and released by the turn knob.
- The safe-T-catch locked from inside can be released from outside via the door cylinder.
- Security locking prevents accidental opening.
- Suitable for DIN left and DIN right hand doors.
- Versions for all current timber sections available.
- Profile related versions for PVC and aluminium doors.
- G.U-SECURY locks with safe-T-catch are particularly suitable for the entrance doors of flats and one-family houses.



The programme

- SECURITY Automatic
- SECURITY solid deadbolt (MR)
- SECURITY locking claw (SH)
- SECURITY MR/R and SH/R



Overview of G.U-SECURY door locks for timber, PVC and aluminium doors

House and secondary entrance doors			Backset*	Centres	Square	Type of forend
Automatic			33 – 80	92	10+8	flat U-shaped
Automatic4			35 – 80	92	10+8	flat U-shaped
Automatic with A-opener			35 – 80	92	10+8	flat U-shaped
Automatic with A-opener and safe-T-catch			35 – 65	92	10+8	flat U-shaped
Automatic with A-opener and panic function			35 – 80	92	9	flat U-shaped
Automatic with safe-T-catch			35 – 80	92	10+8	flat U-shaped
Automatic with panic function			35 – 65	92	9	flat U-shaped
Automatic4 panic function			35 – 65	92	9	flat U-shaped
Solid deadbolts						
Solid deadbolt	MR 2, MR 4		25 – 90	92	10+8	flat U-shaped
Solid deadbolt with safe-T-catch	MR 2		35 – 65	92	10+8	flat U-shaped
Solid deadbolt / motor-driven	MR 2 M		35 – 80	92	10+8	flat U-shaped
Solid deadbolt and roller cams	MR/R		55 – 80	92	10	flat
Solid deadbolt, roller cams, safe-T-catch	MR/R		65	92	10	flat
Double deadbolts						
Double deadbolts	DR		35 – 80	92	10+8	flat U-shaped
Locking claws						
Locking claws	SH 2, SH 4		25 – 90	92	10+8	flat U-shaped
Locking claws with safe-T-catch	SH 2		25 – 90	92	10+8	flat U-shaped
Roller cams						
Roller cams	R 4		25 – 90	92	10+8	flat U-shaped
Flat entrance doors						
Automatic	DIN frames		55 – 65	72	8	flat
Automatic with A-opener	DIN frames		55 – 65	72	8	flat
Automatic with A-opener and panic function	DIN frames		55 – 65	72	9	flat
Automatic with safe-T-catch	DIN frames		55 – 65	72	8	flat
Automatic with panic function	DIN frames		55 + 65	72	9	flat
Solid deadbolts						
Solid deadbolt	MR 2, MR 4	DIN frames	55 – 65	72	8	flat
Solid deadbolt with safe-T-catch	MR 2	DIN frames	55 – 65	72	8	flat
Fire rated doors						
Automatic FH	DIN frames		65	72	9	flat
Solid deadbolt FH	DIN frames		55 – 80	72	9	flat
Doors for with DIN steel frames						
Round bolts	SB 2		55 – 65	72	8	flat

* For the complete G.U-SECURY range with all available backsets see our order catalogue.

Angular latch plates, locking plates, locking rods SECURITY COMFORT, locking components for double leaf doors

G.U-SECURITY accessories for timber, PVC and aluminium doors:

- Angular and flat latch plates, adjustable locking plates and locking cases.
- Locking rod programme for SECURITY Automatic, MR and SH.

SECURITY COMFORT

Components:

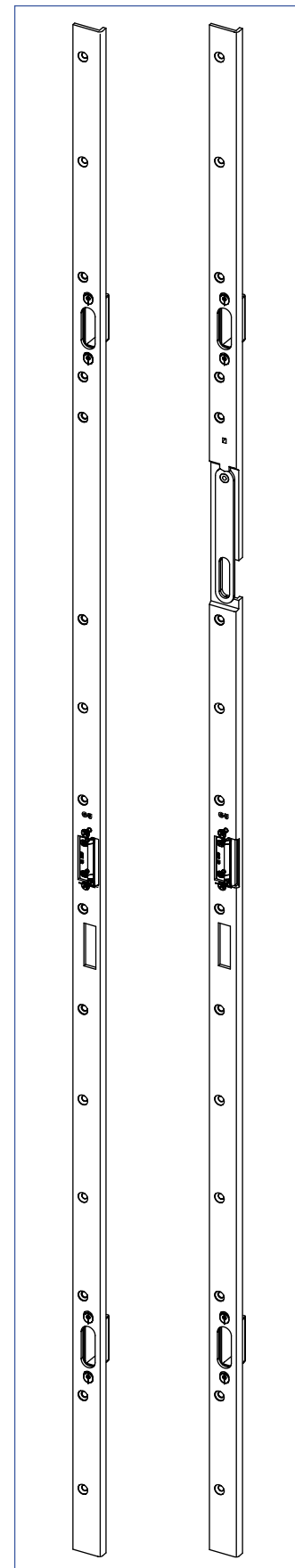
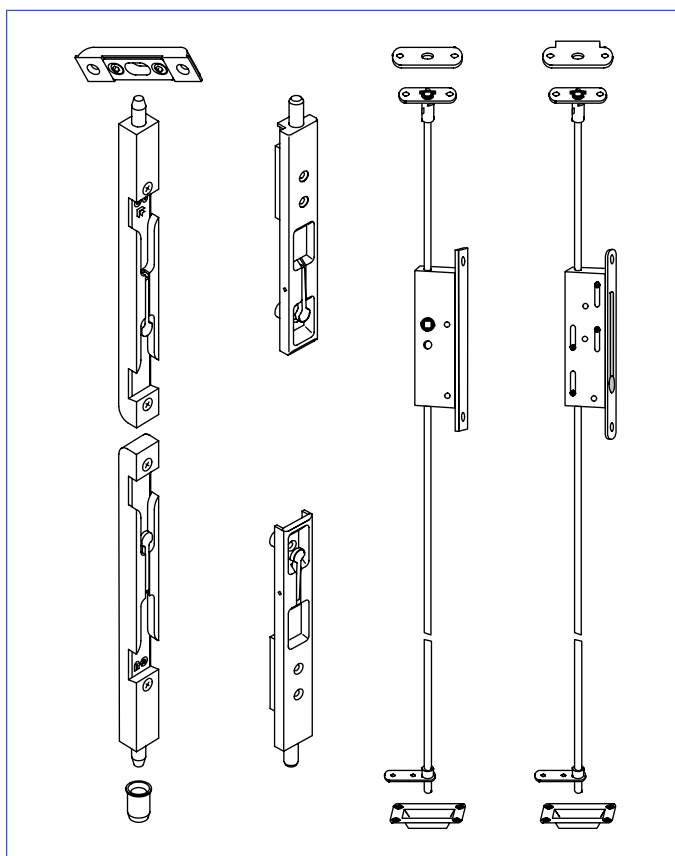
- Electronic “keys” with built in programmable chip: 4 user keys, 1 master key
- Monitor loop with fixings and decorative cover, Ø approx. 80 mm, positioned on the outside near the door e.g. on the house wall)
- Controller pre-programmed, positioned on the inside near the door (fits into a concealed standard switch box)



Double leaf doors

The accessories necessary for timber, PVC and aluminium double leaf house entrance doors are explained in our order catalogue:

- Top and bottom door shoot bolts
- Locking plates and lock cases



with G.U-BKS securing technology for you!



BKS security fittings

Multiple screw fixing protects against opening by force. Outside backplate with solid steel base, cylinder cover with protective plate.



Sophisticated technology and beautiful design

BKS cylinder system **janus**[®] with security cylinder and user-friendly reversible key.



Electric door openers

Electric door openers offer a high degree of convenience: The door opens at the push of a button. After pulling the door shut or closing via door closer, the door is locked again.



Overhead door closers OTS

Door closers on entrance doors always ensure the fully controlled closing of the door from any opening angle. Available in various colours to match the door.



Concealed cable ducts

The cable ducts are concealed in the rebate and fixed on the door leaf with a screw. Due to their rugged design and material (chrome plated steel), the cable ducts are optimally protected against manipulation.



Entrance door hinges

Solid hinges for high door leaf weights offer increased security. Also available with additional hinge security plates.



Aluminium thresholds

Thermally broken aluminium thresholds perfectly close and seal the bottom of house entrance doors. Suitable both for new buildings and for renovation. No condensation on the inside due to maximum thermal insulation.